

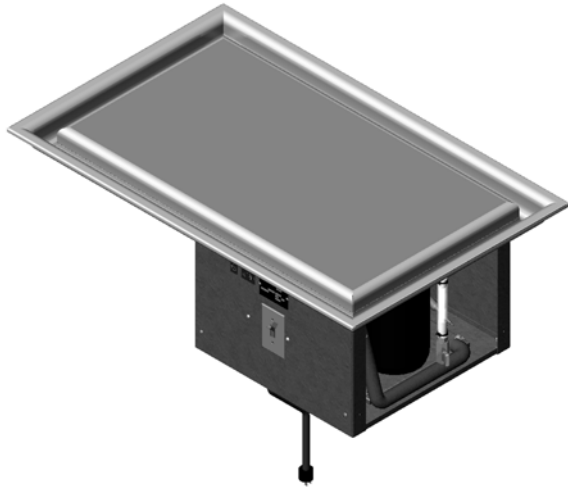


Project:

Item Number:

Quantity:

MODULAR DROP-IN: REFRIGERATED FROST TOP



Modular Drop-In: Refrigerated Frost Top

DESCRIPTION

The modular drop-in refrigerated frost tops are designed for top-mount installation.

A full-perimeter drip trough surrounds the display area. The 1½" (3.8 cm) wide and 1¾" (4.4 cm) deep trough with integral drain contains spills and aids in cleaning the unit.

Refrigeration coils are attached to the underside of the display surface for maximum cooling. Additional coils are attached to the sides of the display area to create a full-frost pattern. Refrigerant is R134A to meet federal standards.

The display surface fits flush with the countertop to limit the effect of ambient temperature on the display area and to help maintain the full-frost pattern.

The temperature control is preset to make startup an easy operation.

Agency Certifications



MODELS:

36419	120V, Two-pan
36420	120V, Three-pan
36424	120V, Four-pan
36426	120V, Five-pan
36428	120V, Six-pan

FEATURES

- Top is 18-gauge stainless steel, 18-8 Type 304, with ⅝" (9.52 mm) overhang on all sides with full-perimeter drip trough.
- Drip trough is 1½" (3.8 cm) wide and 1¾" (4.4 cm) deep with integral drain.
- Frost top display area is one-piece construction.
- Display area is designed to be flush with countertop.
- Breaker gasket included for installation under drip-edge.
- Display area is 18-gauge stainless steel Type 304.
- Refrigeration coils mounted to underside of display surface.
- Additional full-perimeter copper refrigeration coils are attached to the vertical flange of the display surface.
- Extruded polystyrene insulation surrounds the cooling coils and directs the thermal exchange to the display area for minimum energy output and lower cost operation.
- Condensing unit suspended below well.
- Temperature control on compressor is preset.
- For complete air circulation, two openings in the cabinet are required. Two aluminum louver panels are shipped with the drop-in unit. Louver cutout size is 8" x 10" (20.3 cm x 25.4 cm).
- Exterior housing is 20-gauge galvanized steel.
- Unit comes with cord and plug and does not require hard-wiring.
- On/Off switch is mounted on side of compressor housing.
- Positioning clips provided to center drop-in within cutout.
- One-year parts and labor warranty. Additional four years on compressor.

Approvals

Date:



Setting the Standard™

www.vollrathco.com

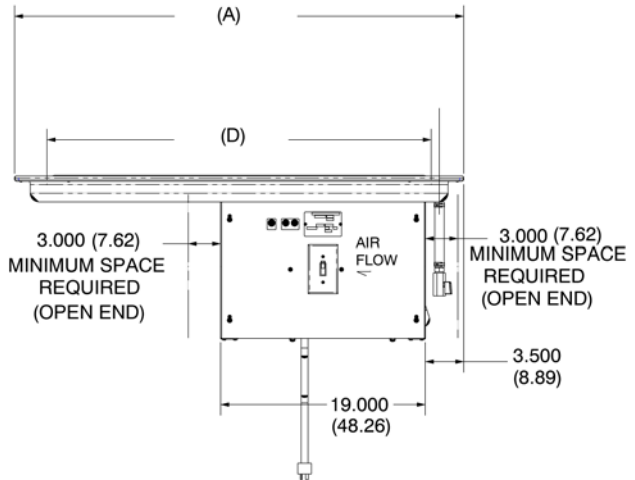
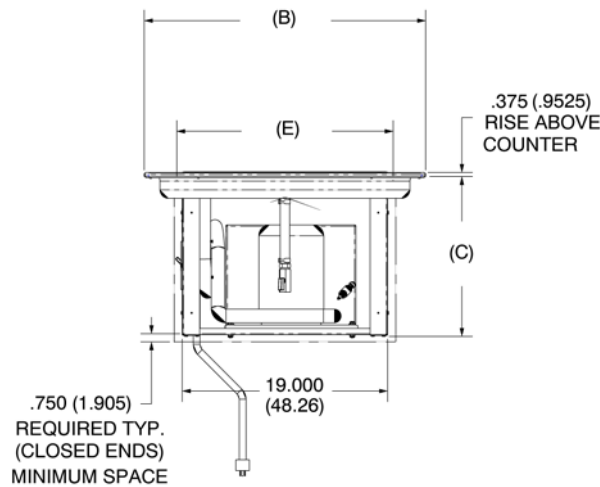
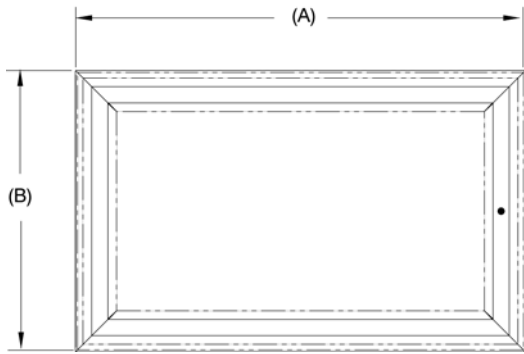
The Vollrath Company, L.L.C.
 1236 North 18th Street
 Sheboygan, WI 53082-0611
 U.S.A.
 Main Tel: 800.624.2051
 Service Tel: 800.628.0832
 FAX: 800.752.5620

Vollrath of Canada, Co
 Tel: 800.695.8560
 FAX: 800.752.5620

MODULAR DROP-IN: REFRIGERATED FROST TOP

DIMENSIONS

- ❑ Opening cutout must have a 7/8" (2.2 cm) corner radius.
- ❑ Dimensions shown in inches (cm).



Item	(A) Length	(B) Width	(C) Height	Display Area		Cutout		Comp	Voltage	Amps	Plug	Receptacles	
				(D)	(E)	Length	Width					5-15r	5-20r
36419	28.75 (73.00)	26.00 (66.04)	16.00 (40.64)	22.25 (56.515)	20.00 (50.8)	26.00 (66.04)	23.75 (60.30)	1/4 HP	120	4.9	5-15P	5-15R	
36420	41.50 (105.41)	26.00 (66.04)	16.00 (40.64)	35.50 (90.17)	20.00 (50.8)	39.25 (99.70)	23.75 (60.30)	1/3 HP	120	5.9	5-15P	5-15R	
36424	54.75 (139.065)	26.00 (66.04)	16.00 (40.64)	48.75 (123.825)	20.00 (50.8)	52.50 (133.35)	23.75 (60.30)	1/3 HP	120	5.9	5-15P	5-15R	
36426	68.00 (172.72)	26.00 (66.04)	16.00 (40.64)	62.00 (157.48)	20.00 (50.8)	65.75 (167.00)	23.75 (60.30)	1/2 HP	120	12.9	5-20P	5-20R	
36428	81.25 (206.375)	26.00 (66.04)	16.00 (40.64)	75.25 (191.135)	20.00 (50.8)	79.00 (200.66)	23.75 (60.30)	1/2 HP	120	12.9	5-20P	5-20R	



www.vollrathco.com

The Vollrath Company, L.L.C.
 1236 North 18th Street
 Sheboygan, WI 53082-0611
 U.S.A.
 Main Tel: 800.624.2051
 Service Tel: 800.628.0832
 FAX: 800.752.5620

Vollrath of Canada, Co
 Tel: 800.695.8560
 FAX: 800.752.5620