



Project:

Item Number:

Quantity:

AFFORDABLE PORTABLE™ UTILITY STATIONS



Affordable Portable™ Utility Stations

DESCRIPTION & FEATURES

- Vollrath Affordable Portable™ utility stations are constructed of vinyl-clad, 20-gauge carbon steel.
- Fully enclosed clear acrylic breath guards with 12" (30.5 cm) clearance. NSF2 Certified.
- The utility stations are available in four versatile colors: granite, walnut woodgrain, black and cherry woodgrain.
- Seamless one-piece 20 gauge 300 series stainless steel work surfaces.
- Locking casters included.
- **Affordable Portable™ orders cannot be canceled or returned.**

Lighting (requires Buffet breath guard, bulbs not included)

- Factory-installed option
- 120V
- Heat lamp bulbs (order separately)

Item	Description
72242	White, 250W
72241	Red, 250W

AGENCY CERTIFICATIONS



Due to continued product improvement, please consult www.vollrathco.com for current product specifications.

MODELS

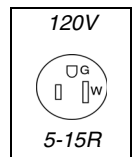
Description	Black	Walnut Woodgrain	Granite	Cherry Woodgrain
46" Utility Station - 120V				
Solid base	38701	38926	38721	38761
Solid w/lights	3870146	3892646	3872146	3876146
Open Storage	38702	38927	38722	38762
Open w/lights	3870246	3892746	3872246	3876246
Storage w/door	38703	38928	38723	38763
Storage w/door, w/lights	3870346	3892846	3872346	3876346
Cafeteria unit⇒	39701	39926	39721	39761
Cafeteria unit w/open storage⇒	39702	39927	39722	39762
Cafeteria unit w/storage door⇒	39703	39928	39723	39763
60" Utility Station - 120V				
Solid base	38704	38930	38724	38764
Solid w/lights	3870460	3893060	3872460	3876460
Open Storage	38705	38931	38725	38765
Open w/lights	3870560	3893160	3872560	3876560
Storage w/door	38706	38932	38726	38766
Storage w/door, w/lights	3870660	3893260	3872660	3876660
Cafeteria unit⇒	39704	39930	39724	39764
Cafeteria unit w/open storage⇒	39705	39931	39725	39765
Cafeteria unit w/storage door⇒	39706	39932	39726	39766

⇒ Includes Cafeteria breath guard with acrylic panel.

ELECTRICAL PLUG SPECIFICATIONS

Incandescent lamps only (250W maximum per fixture)

Description	With Lights		
	Amps	Receptacle	Electrical Service (A)
46" Utility Station	6.0	5-15R	15
60" Utility Station	8.0	5-15R	15



WARRANTY: All models shown come with Vollrath's standard warranty against defects in materials and workmanship. For full warranty details, please refer to the Vollrath Equipment and Smallwares Catalog.

Approvals	Date

Affordable Portable™ Utility Stations

The Vollrath Company, L.L.C.



Setting the Standard™

www.vollrathco.com

The Vollrath Company, L.L.C.
 1236 North 18th Street
 Sheboygan, WI 53081-3201 U.S.A.
 Customer Service: 800.628.0830
 Canada Customer Service: 800.695.8560
 Main Fax: 800.752.5620 or 920.459.6573

Technical Services: 800.628.0832
 Technical Services Fax: 920.459.6573

Excell Marketing Group

AFFORDABLE PORTABLE™ UTILITY STATIONS

ACCESSORIES AND ADD-ONS

Cashier Station

- Stable stainless steel work surface
- Wide enough for almost any register or terminal
- Open base and bottom shelf for extra storage
- Cash drawer not available
- Unit depth: 24" (61 cm)



Description	Dimensions (LxH) Inches (CM)	Black	Walnut Woodgrain	Granite	Cherry Woodgrain
Cashier Station	24 x 35 (60.9 x 89)	38700	38905	38720	38760

Plate Rests

- Stainless steel
- Fold-down mounting kit
- Designed for Affordable Portable™ only
- Surface width: 7" (17.8 cm)
- Adds 4½" (11.4 cm) to width of unit in folded position



Item	Description	Case Lot
38992	24" (61 cm) plate rest with mounting kit	1
38993	46" (117 cm) plate rest with mounting kit	1
38994	60" (152 cm) plate rest with mounting kit	1

Tray Slides and Cutting Boards

- Polyethylene cutting boards
- 300 series stainless steel tray slide
- Fold-down mounting brackets
- Cutting boards add 4" (10.2 cm) and tray slides add 5½" (14 cm) to width of unit in folded position



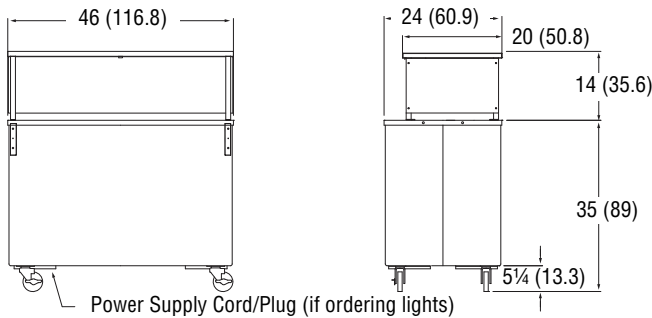
Tray Slide	Cutting Board	Description	Case Lot
39924	39824	Fits 24" (61 cm) Affordable Portable™	1
39946	39846	Fits 46" (117 cm) Affordable Portable™	1
39960	39860	Fits 60" (152 cm) Affordable Portable™	1

STORAGE OPENING DIMENSIONS

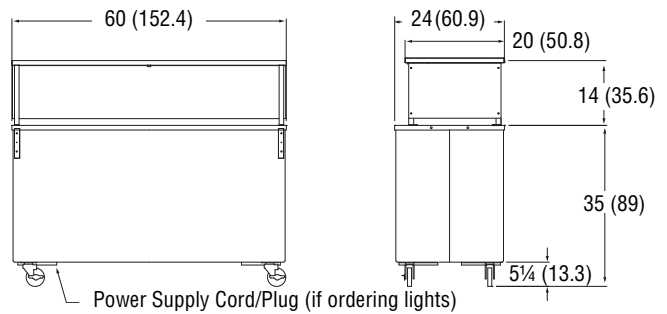
Description	Dimensions (L x W x H): IN (CM)
60" Unit	50 x 23 x 16½ (127 x 58 x 42)
46" Unit	36 x 23 x 16½ (91.5 x 58 x 42)

DIMENSIONS

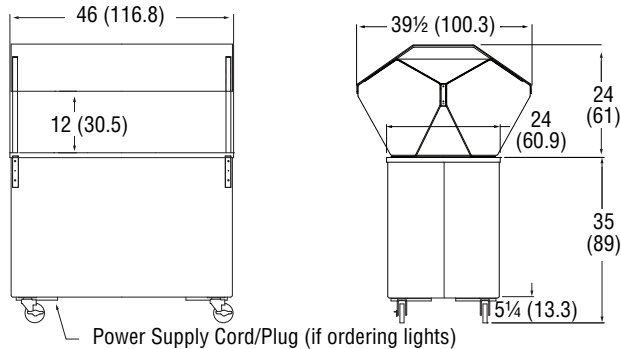
46" Utility Station with Cafeteria Breath Guard



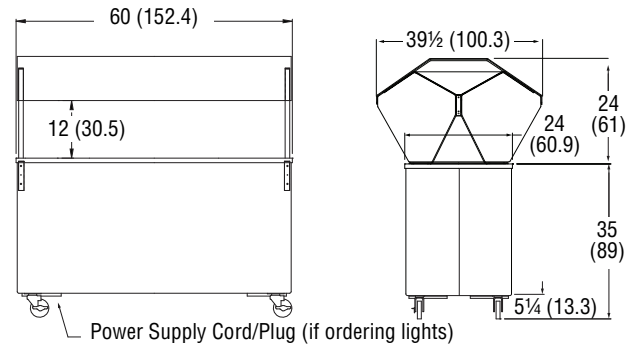
60" Utility Station with Cafeteria Breath Guard



46" Utility Station with Buffet Breath Guard



60" Utility Station with Buffet Breath Guard



Setting
the Standard™

www.vollrathco.com

The Vollrath Company, L.L.C.
1236 North 18th Street
Sheboygan, WI 53081-3201 U.S.A.
Customer Service: 800.628.0830
Canada Customer Service: 800.695.8560
Main Fax: 800.752.5620 or 920.459.6573

Technical Services: 800.628.0832
Technical Services Fax: 920.459.6573