



4184 E. Conant st.
 Long Beach, CA 90808
 Tel. 310-900-1000
 Fax. 310-900-1077
www.turboairinc.com

Project :	
Model # :	
Item # :	Qty :
Available W/H :	
Approval :	

Slicer - Heavy Duty *Heavy Duty
Premium Slicers*

Model : GS-12M



FEATURES / BENEFITS

- **1/2 HP KNIFE MOTOR**
 Powerful 1/2 HP knife motor assures peak performance when slicing the toughest products.
- **POWERFUL GEAR DRIVEN KNIFE MOTOR**
 German Knife's heavy-duty gear drive system provides years of maintenance free reliability without down time. No belts to slip or break.
- **HALF-PERMANENTLY LUBRICATED WORM GEARS**
 Worm gears are made of Nytratron that is self-lubricated plastic made in Germany for high-speed equipment.
- **STAINLESS STEEL RECEIVING PLATE**
- **STAINLESS STEEL FOR FOOD ZONE**
 Stainless steel food contact zone provides easy to clean surfaces and won't chip or peel.
- **OIL LUBRICATION SYSTEM ON TOP AND BOTTOM SLIDE SHAFT**
 Oil lubrication system on top and bottom slide shaft provides smooth sliding for the chute compared with competing brands.
- **ERGONOMIC STYLE CHUTE HANDLE**
 Comfortable and stable ergonomic style grip on the chute handle provides easy glide manual operation.
- **KNIFE BLADE**
 Knife made in Germany holds the cutting edge longer requires less sharpenings, resists corrosion and provides precise and more uniform cuts.
- **HEAVY STAINLESS STEEL END WEIGHT**
 Heavy end weight lets you slice tiny pieces to the end and eliminates waste.
- **OPERATOR SIDE END WEIGHT ROD**
 By placing the weight rod on the operator side of the chute, the product is held tighter for slicing.
- **TOP MOUNT KNIFE SHARPENER**
- **SAFE KNIFE CLEANING**
 German Knife heavy duty slicers are equipped with a permanently attached knife ring guard and interlock knife cover.
- **SLICE THICKNESS ADJUSTMENT**
 Precise slice thickness adjustment let you slice from tissue thin to 1" thick.

Model	Knife Motor	Chute Motor	Crated Weight (lbs.)	L x D x H (inches)
GS-12M	1/2	-	153	25 ⁵ / ₈ x 23 ³ / ₈ x 23 ⁵ / ₈

Slicer - Heavy Duty

Heavy Duty
Premium Slicers

Model : GS-12M

ELECTRICAL DATA	
Knife Motor	1/2HP • 1ph • AC115V • 60Hz
Chute Motor	-
Speed	-
DIMENSIONAL DATA	
Diameter of Knife	12
Slices Thickness	Tissue thin ~ 1" thick
Foot Print	17 ³ / ₄ x 22 ³ / ₈
Ext. Length Overall in.	25 ⁵ / ₈ (650mm)
Ext. Depth Overall in.	23 ³ / ₈ (594mm)
Ext. Height Overall in.	23 ⁵ / ₈ (599mm)
Gross Weight lbs.	153
Net Weight lbs.	130
Box Dimensions (L x D x H)	29 ¹ / ₂ x 28 ¹ / ₄ x 27 ¹ / ₂

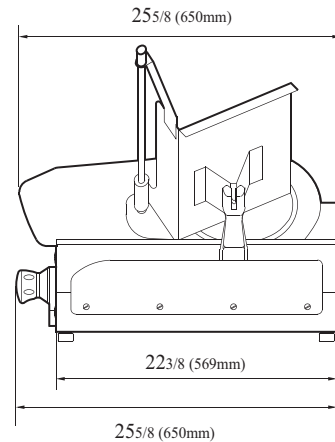
Design and specifications subject to change without notice.
Actual shipping weight may differ due to extra packing materials for product protection.

■ **WARRANTY : 2 Year Parts and Labor Warranty**

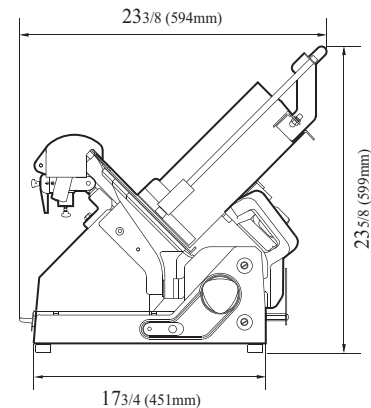
■ **VEGETABLE HOPPER AVAILABLE**

PLAN VIEW

(unit : inch)



FRONT VIEW



SIDE VIEW

Ver.201401



■ Turbo Air : 800-627-0032 ■ GK : 800-500-3519
■ Warranty : 800-381-7770 ■ AC : 888-900-1002

REFRIGERATOR MANUFACTURER
Turbo air

GERMAN KNIFE

RADIANCE

GREEN WORLD

AIR CONDITIONER MANUFACTURER
Turbo air