



4184 E. Conant st.  
 Long Beach, CA 90808  
 Tel. 310-900-1000  
 Fax. 310-900-1077  
[www.turboairinc.com](http://www.turboairinc.com)

Project :	
Model # :	
Item # :	Qty :
Available W/H :	
Approval :	

**Slicer - Heavy Duty** *Heavy Duty  
Premium Slicers*

**Model : GS-12A**



**FEATURES / BENEFITS**

- **1/2 HP KNIFE MOTOR**  
 Powerful 1/2 HP knife motor assures peak performance when slicing the toughest products.
- **1/8 HP POWERFUL CHUTE MOTOR**  
 Powerful torque chute drive motor provides a clean cut on tough products.
- **POWERFUL GEAR DRIVEN KNIFE MOTOR**  
 German Knife's heavy-duty gear drive system provides years of maintenance free reliability without down time. No belts to slip or break.
- **HALF-PERMANENTLY LUBRICATED WORM GEARS**  
 Worm gears are made of Nytratron that is self-lubricated plastic made in Germany for high-speed equipment.
- **ELECTRONIC CONTROL PANEL**  
 Variable 9 speeds chute drive from 20 to 60 strokes per minute.
- **SELF-DIAGNOSIS FUNCTION**
- **STAINLESS STEEL RECEIVING PLATE**
- **STAINLESS STEEL FOR FOOD ZONE**  
 Stainless steel food contact zone provides easy to clean surfaces and won't chip or peel.
- **OIL LUBRICATION SYSTEM ON TOP AND BOTTOM SLIDE SHAFT**  
 Oil lubrication system on top and bottom slide shaft provides smooth sliding for the chute compared with competing brands.
- **ERGONOMIC STYLE CHUTE HANDLE**  
 Comfortable and stable ergonomic style grip on the chute handle provides easy glide manual operation.
- **KNIFE BLADE**  
 Knife made in Germany holds the cutting edge longer requires less sharpenings, resists corrosion and provides precise and more uniform cuts.
- **HEAVY STAINLESS STEEL END WEIGHT**  
 Heavy end weight lets you slice tiny pieces to the end and eliminates waste.
- **OPERATOR SIDE END WEIGHT ROD**  
 By placing the weight rod on the operator side of the chute, the product is held tighter for slicing.
- **TOP MOUNT KNIFE SHARPENER**
- **SAFE KNIFE CLEANING**  
 German Knife heavy duty slicers are equipped with a permanently attached knife ring guard and interlock knife cover.
- **SLICE THICKNESS ADJUSTMENT**  
 Precise slice thickness adjustment let you slice from tissue thin to 1" thick.

Model	Knife Motor	Chute Motor	Crated Weight (lbs.)	L x D x H (inches)
GS-12A	1/2	1/8	203	25 <sup>5</sup> / <sub>8</sub> x 23 <sup>3</sup> / <sub>8</sub> x 27 <sup>3</sup> / <sub>8</sub>

# Slicer - Heavy Duty

Heavy Duty  
Premium Slicers

## Model : GS-12A

ELECTRICAL DATA	
Knife Motor	1/2HP • 1ph • AC115V • 60Hz
Chute Motor	1/8HP • 90W • DC • AC115V
Speed	Max 60 slices/min
DIMENSIONAL DATA	
Diameter of Knife	12
Slices Thickness	Tissue thin ~ 1" thick
Foot Print	17 <sup>3</sup> / <sub>4</sub> x 22 <sup>3</sup> / <sub>8</sub>
Ext. Length Overall in.	25 <sup>5</sup> / <sub>8</sub> (650mm)
Ext. Depth Overall in.	23 <sup>3</sup> / <sub>8</sub> (594mm)
Ext. Height Overall in.	27 <sup>3</sup> / <sub>8</sub> (696mm)
Gross Weight lbs.	203
Net Weight lbs.	173
Box Dimensions (L x D x H)	29 <sup>1</sup> / <sub>2</sub> x 28 <sup>1</sup> / <sub>4</sub> x 31 <sup>1</sup> / <sub>2</sub>

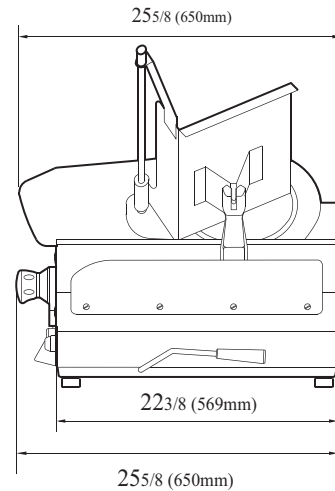
Design and specifications subject to change without notice.  
Actual shipping weight may differ due to extra packing materials for product protection.

■ **WARRANTY : 2 Year Parts and Labor Warranty**

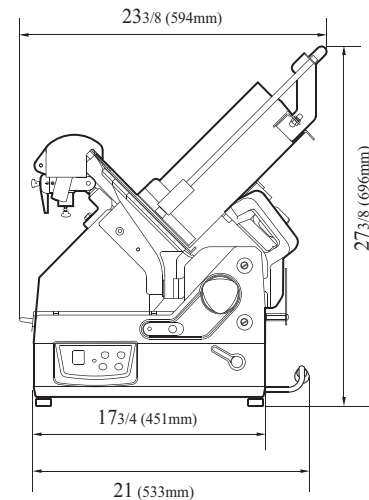
■ **VEGETABLE HOPPER AVAILABLE**

## PLAN VIEW

(unit : inch)



FRONT VIEW



SIDE VIEW

Ver.201401



■ Turbo Air : 800-627-0032 ■ GK : 800-500-3519  
■ Warranty : 800-381-7770 ■ AC : 888-900-1002

REFRIGERATOR MANUFACTURER  
**Turbo air**

**GERMAN KNIFE**

**RADIANCE**

**GREEN WORLD**

AIR CONDITIONER MANUFACTURER  
**Turbo air**