

Project Name:	
Location:	
Item:	Qty.:
Model:	

Sandwich Units

- ▶ MXCR29S
- ▶ MXCR48S
- ▶ MXCR60S




Model MXCR29S



Model MXCR48S
Model MXCR60S

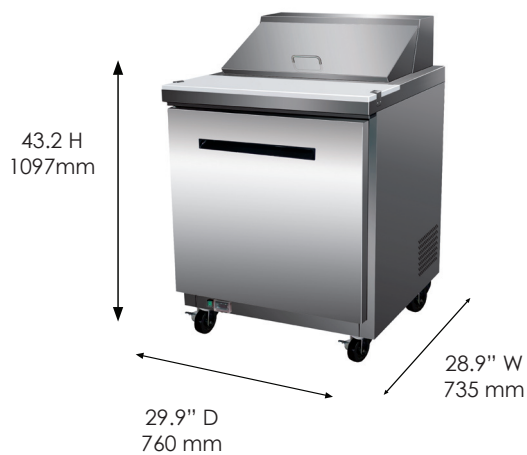
FEATURES

- Stainless steel exterior
- Painted aluminum interior
- CFC Free Polyurethane insulated walls and doors
- Standard recessed door handles
- Adjustable, heavy-duty wire shelves, each unit comes with two per section/doors
- Four casters (2 locking, 2 non-locking)
- Stainless steel, stain resistant louver distributes air evenly through the unit
- Door width: 237/8"
- Efficient cooling system (two fans)
- Uses R-134a refrigerant
- Forced-air refrigeration
- Self-contained
- Temperature Range: Sandwich Prep Tables 33° to 41°F (1° to 5°C)

	Specifications subject to change without notice.
	Approvals:

Sandwich Units

Model MXCR29S



Model MXCR48S



Maxx Cold Sandwich Stations and Megatop Sandwich Stations provide the perfect blend of durability and accessibility to allow for quick and easy preparation of sandwiches, salads, and more. A high quality stainless steel exterior allows for easy cleaning and a heavy duty stainless steel insulated hood keeps products cool and fresh. A digital thermostat with LED display completes an all-around unbeatable product.

Dimensional Data

Model	Dim (WxDxH")	Capacity	Hp	Temp	Doors	Weight	Watts	Pans (1/6)
MXCR29S	29 x 30 x 43 (735x760x1097mm)	7 Cu Ft	3/8	28° to 39°	1	276 LB 125 KG	1	8
MXCR48S	48 x 30 x 43 (1225x760x1097mm)	12 Cu Ft	1/2	28° to 39°	2	313 LB 142 KG	2	12
MXCR60S	61 x 30 x 43 (1555x760x1097mm)	15.5 Cu Ft	1/2	28° to 39°	2	362 LB 164 KG	2	16