

DCM-270BAH

SANITARY CUBELET ICE MACHINE/DISPENSER

Item # _____

Project: _____

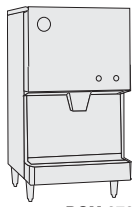
Qty: _____
 *AutoCad available on KCL

DCM-270BA
 03/23/16
 Item #13116

DIMENSIONS
 W x D x H

DCM-270BAH
 16^{9/16} x 24^{1/8} x 31^{11/16}*
 *with 4" legs

SD-270
 16^{1/2} x 24 x 35^{3/16}



DCM-270



SD-270
 optional
 stand



*SD-270 door is reversible.

DCM-270BAH
 Air-Cooled
 Shown on an optional
SD-270 Stand

DCM-270BAH

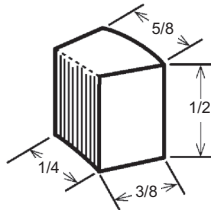
- Advanced CleanCycle24™ - performs a 2 second rinse every hour
- Durable stainless steel exterior
- Up to 282 lbs. of ice production per 24 hours with 10 lbs.* built in storage
- Easy to chew, cubelet ice
- Self contained design reducing opportunities for cross contamination
- Dispenses ice and water
- Removable air filter
- Stainless steel internal auger
- R-404A Refrigerant
- Protected by H-GUARD Plus Antimicrobial Agent



SD-270 Stand

- Heavy duty stand for floor model icemaker/dispenser
- Corrosion resistant stainless steel exterior
- Easy cleaning with attractive appearance
- Locking, reversible door

***CUBELET DIMENSIONS**



*approximate size in inches, image not to scale



Warranty

Valid in United States, Canada, Puerto Rico, & U.S. Territories. Contact factory for warranty in other countries.

Three Year - Parts & Labor on entire machine. (Serial numbers VxxxxxJ and after.)

Five Year - Parts on: hermetic compressor, air-cooled fin and tube type condenser.

* Rated in accordance with AHRI Standard 820 (I-P)

© HOSHIZAKI AMERICA, INC.

618 Hwy. 74 S., Peachtree City, GA 30269

TEL 1-800-438-6087

FAX 1-800-345-1325

www.hoshizaki.com



Hoshizaki

DCM-270BAH SANITARY CUBELET ICE MACHINE/DISPENSER

DIMENSIONS W x D x H

DCM-270BAH
16^{9/16} x 24^{1/8} x 31^{11/16}
with 4" legs

SD-270
16^{1/2} x 24 x 35^{3/16}

- Air-cooled
- Optional stand with locking door

AIR-COOLED

Water Temp° F.	50°	70°	90°	
Air Temp° F.	70°	282	271	259
80°	248	238	228	
90°	219	215	201	

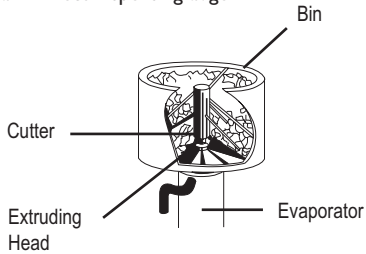
UTILITY CONSUMPTION

Model Number	KWH per 100 LBS.		GAL per 100 LBS.	
	90/70	70/50	90/70	70/50
DCM-270BAH	7.6	5.5	12.0	12.0

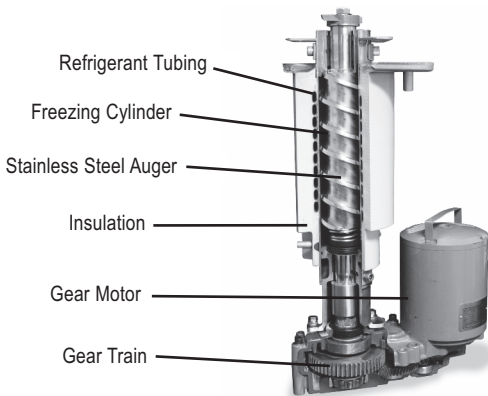
SPECIFICATIONS

Model Number	Condenser	Amperage	Shipping Weight
DCM-270BAH	Air-Cooled	8.5	165 lbs.
SD-270	N/A	N/A	95 lbs.

Flaked ice compacted into cubelets by extruding head cutter and stored in an insulated bin with continuous agitation during dispensing and direct dispensing auger



- Circuit breaker or fuse protects gear motor from overload.
- Gear motor runs one minute after termination of ice making to clear all ice from evaporator.



EVAPORATOR

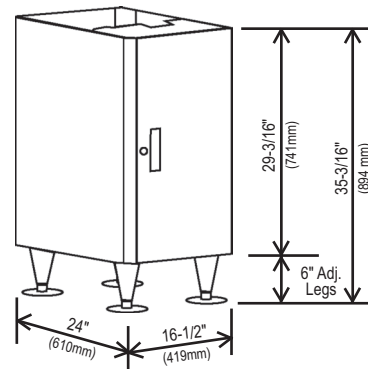
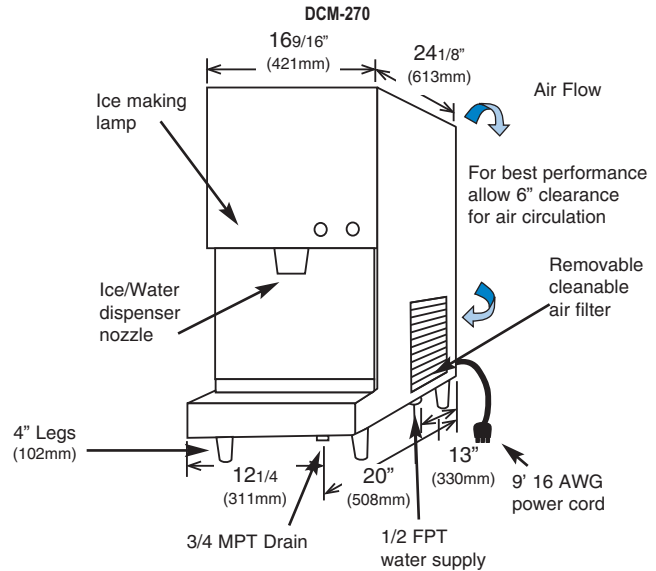
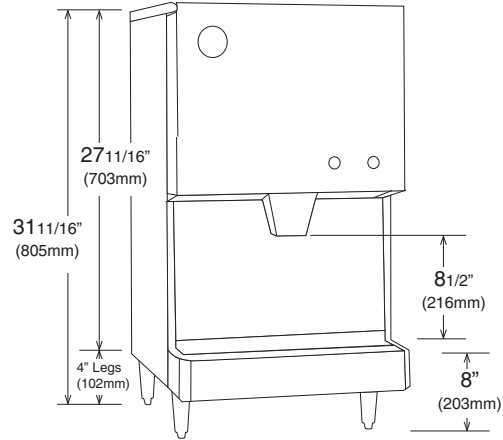
ELECTRICAL/PLUMBING/DCM-270BAH

- 115V/60/1
- 15 amp cord connection
- Icemaker Water Supply Line: Minimum 1/4" Nominal ID Copper Water Tubing or Equivalent
- Icemaker Drain Line: Minimum 3/4" Nominal ID Hard Pipe or Equivalent



© HOSHIZAKI AMERICA, INC.

618 Hwy. 74 S., Peachtree City, GA 30269



SD-270

OPERATING LIMITS

- Ambient Temp Range 45 - 100°F
- Water Temp Range 45 - 90°F
- Water Pressure 10 - 113psig
- Voltage Range 104 - 127V

SERVICE

- Panels easily removed and all components accessible for service.
- Removable/cleanable air filter.

