

# DCM-300BAH-OS

## OPTI-SERVE SERIES

### SANITARY CUBELET ICE MACHINE/DISPENSER

Item # \_\_\_\_\_  
 Project: \_\_\_\_\_  
 Qty: \_\_\_\_\_  
 \*AutoCad available on KCL

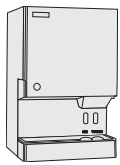
DCM-300BAH-OS  
 03/23/16  
 Item #13285

**DIMENSIONS**  
 W x D x H

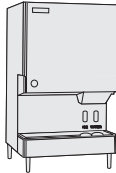
**DCM-300BAH-OS**  
 26 x 22<sup>1/2</sup> x 40

**SD-450**  
 26<sup>1/4</sup> x 22 x 32<sup>1/2</sup>

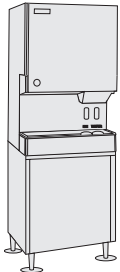
**SD-500**  
 25<sup>9/10</sup> x 22 x 32<sup>3/4</sup>



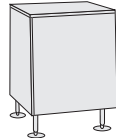
**DCM-300**  
 Countertop



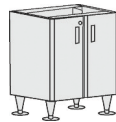
**DCM-300**  
 Countertop  
 with optional  
 6" legs



**DCM-300**  
 Floor Model  
 with optional  
 stand



**SD-450**  
 optional  
 stand





**SD-500**  
 optional  
 stand



\*Hands-free sensor designed for use with opaque containers. Not intended for outdoor use - avoid placement in direct sunlight.

**DCM-300BAH-OS**  
 Air-Cooled  
 Shown on an optional  
**SD-500 Stand**

**DCM-300BAH-OS**

- CleanCycle I2™ - Every 12 hours, unit performs 20 minute purge to rid itself of impurities 
- LED Remote sensor for hands-free operation
- Sealed LED housing prevents moisture from entering, eliminating the possibility of an electrical short
- Corrosion resistant stainless steel exterior
- Up to 321 lbs. of ice production per 24 hours, with 40 lbs.\* built-in storage
- Easy to chew, cubelet ice
- Self contained design reducing opportunities for cross contamination
- Dispenses ice and water
- Removable air filters (Air-cooled model only)
- Protected by H-GUARD Plus Antimicrobial Agent 

**SD-450 Stand / SD-500 Stand**

- Heavy duty stand for floor model icemaker/dispenser
- Corrosion resistant stainless steel exterior
- Easy cleaning with attractive appearance
- Locking doors standard on SD-500

**Warranty**

Valid in United States, Canada, Puerto Rico, & U.S. Territories. Contact factory for warranty in other countries.

**Three Year** - Parts & Labor on entire machine. (Serial numbers Vxxxxx) and after.)

**Five Year** - Parts on: Compressor, air-cooled condenser.

\*Rated in accordance with AHRI Standard 820 (I-P)



© HOSHIZAKI AMERICA, INC.

618 Hwy. 74 S., Peachtree City, GA 30269

TEL 1-800-438-6087

FAX 1-800-345-1325

www.hoshizaki.com



# SANITARY CUBELET ICE MACHINE/DISPENSER - OPTI-SERVE SERIES

## DIMENSIONS

W x D x H

**DCM-300BAH-OS**  
26 x 22<sup>1/2</sup> x 40

**SD-450**  
26<sup>1/4</sup> x 22 x 32<sup>1/2</sup>

**SD-500**  
25<sup>9/10</sup> x 22 x 32<sup>3/4</sup>

- Hands-free ice machine/dispenser
- Optional stand
- Optional stand with locking doors

### AIR-COOLED

Water Temp ° F.	50°	70°	90°	
Air Temp ° F.	70°	321	307	291
	80°	277	263	249
	90°	237	232	214

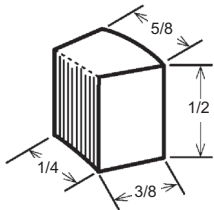
### UTILITY CONSUMPTION

Model Number	Approximate Electrical		KWH per 100 LBS.	
	90/70	70/50	90/70	70/50
DCM-300BAH-OS	661W	653W	6.84	4.88

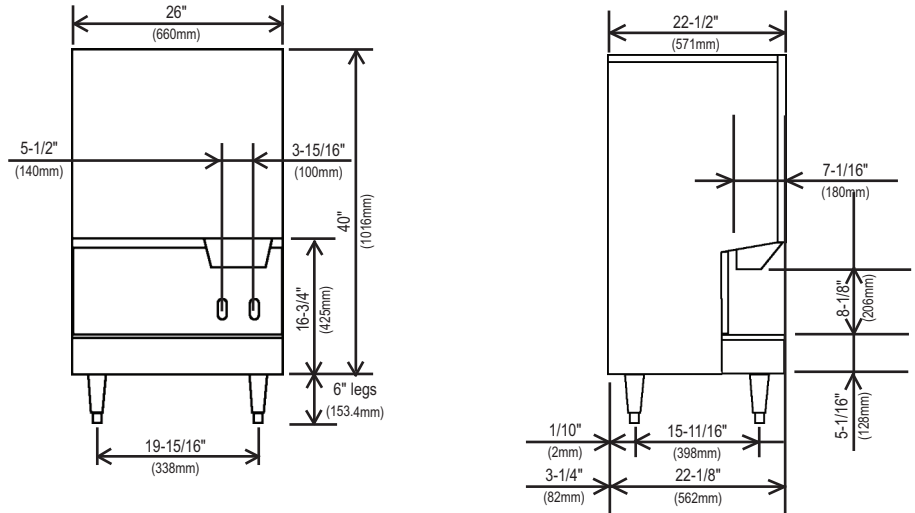
### SPECIFICATIONS

Model Number	Condenser	Amperage	Min. Circuit Ampacity	Shipping Weight
DCM-300BAH-OS	Air-Cooled	10.25	20	218 lbs.
SD-450	N/A	N/A	N/A	110 lbs.
SD-500	N/A	N/A	N/A	98 lbs.

### \*CUBELET DIMENSIONS

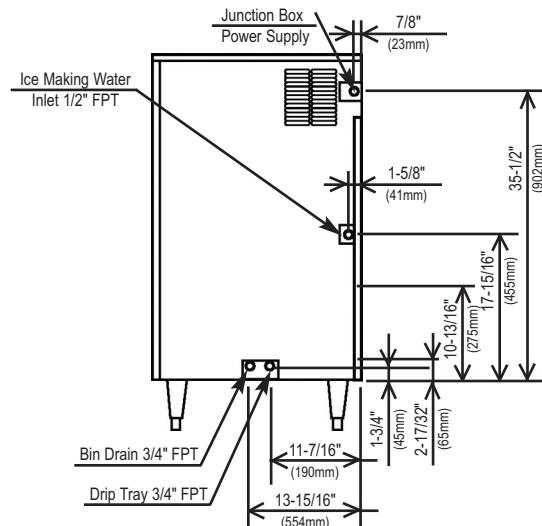


\*approximate size in inches, image not to scale

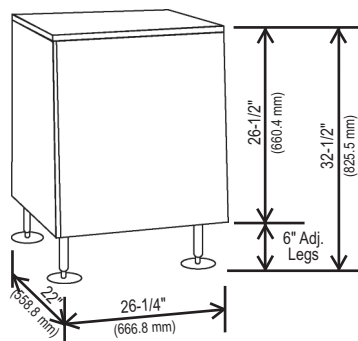


FRONT VIEW

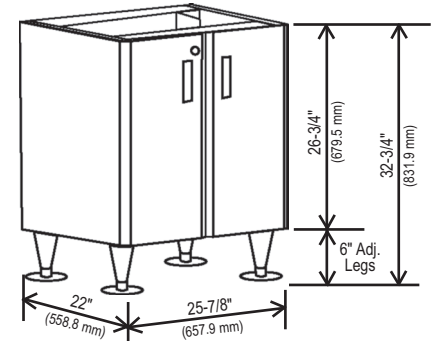
SIDE VIEW



AIR-COOLED UNIT



SD-450



SD-500

### ELECTRICAL & PLUMBING/DCM-300BAH-OS

- 115V/60/1
- 20 amp Max Fuse Size
- Icemaker Water Supply Line: Minimum 1/4" Nominal ID Copper Water Tubing or Equivalent
- Icemaker Drain Line: Minimum 3/4" Nominal ID Hard Pipe or Equivalent

### OPERATING LIMITS

- Ambient Temp Range 45 - 100°F
- Water Temp Range 45 - 90°F
- Water Pressure 10 - 113psig
- Voltage Range 104 - 127V

### SERVICE

- Panels easily removed and all components accessible for service.
- Removable/cleanable air filter.



© HOSHIZAKI AMERICA, INC.

618 Hwy. 74 S., Peachtree City, GA 30269

TEL 1-800-438-6087

FAX 1-800-345-1325

www.hoshizaki.com

Printed in U.S.A.

