

KM-650M_H

SLIM-LINE MODULAR CRESCENT CUBER

Item # _____

Project: _____

Qty: _____

*AutoCad available on KCL

KM-650M_H

2/11

Item # 13191

CUBER DIMENSIONS

W x D x H

KM-650M_H

22 x 27^{3/8} x 37^{7/16}



B-300



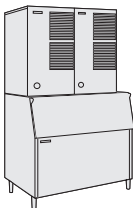
B-500



B-700



B-800



B-900

Also available on Large Bins:

B-1150SS
B-1300SS
B-1500SS
B-1650SS



KM-650MAH

Air-Cooled




Shown on an optional
B-300 Bin

KM-650MWH

Water-Cooled

KM-650MRH

Remote Air-Cooled

- Up to 661 lbs. of ice production per 24 hours
- Durable stainless steel exterior
- Protected by *HoshiGuard* Antimicrobial Agent 
- Individual crescent cube
- CycleSaver® Design 
- EverCheck® alert system 
- Stainless steel evaporator
- Mount two units side-by-side, in only 44" of floor space, for 1,322 lbs. per 24 hours
- Removable air filters (Air-cooled model only)
- R-404A Refrigerant
- Complies with California Energy Commission guidelines (CEC)

* The KM-650MAH and KM-650MRH are ENERGY STAR qualified.

Warranty

Valid in United States, Canada, Puerto Rico, & U.S. Territories. Contact factory for warranty in other countries.

Three Year - Parts & Labor on entire machine.

Five Year - Parts & Labor on: Evaporator.

Five Year - Parts on: Compressor, air-cooled condenser coil.



ISO 9001:2015

© HOSHIZAKI AMERICA, INC.

618 Hwy. 74 S., Peachtree City, GA 30269

TEL 1-800-438-6087

FAX 1-800-345-1325

www.hoshizaki.com



KM-650M_H SLIM-LINE MODULAR CRESCENT CUBER

DIMENSIONS
W x D x H
KM-650M_H
22 x 27^{3/8} x 37^{7/16}

- Air-cooled
- Water-cooled
- Remote Air-cooled

AIR-COOLED

Water Temp ° F.	50°	70°	90°
Air Temp ° F.			
70°	661	632	591
80°	639	594	553
90°	632	562	520

WATER-COOLED

Water Temp ° F.	50°	70°	90°
Air Temp ° F.			
70°	661	649	616
80°	652	633	591
90°	649	620	581

AIR-COOLED REMOTE

Water Temp ° F.	50°	70°	90°
Air Temp ° F.			
70°	632	612	574
80°	617	586	541
90°	612	564	521

UTILITY CONSUMPTION

Model Number	Ice Production Per Cycle		KWH per 100 LBS. 90/70	Potable Water Gal. per 100 lbs.	Condenser Water Gal. per 100 lbs.
	Lbs.	Cubes			
KM-650MAH	14.6	720	5.51	18.0	N/A
KM-650MWH	14.2	720	4.10	22.3	120
KM-650MRH	14.4	720	5.6	16.5	N/A

SPECIFICATIONS

Model Number	Condenser	Amperage	Min. Circuit Ampacity	Shipping Weight
KM-650MAH	Air-Cooled	7.2	15 A	200 lbs.
KM-650MWH	Water-Cooled	5.4	15 A	200 lbs.
KM-650MRH	Remote Air-Cooled	7.4	15 A	200 lbs.

STORAGE BINS

Model Number	Application Capacity	ARI-Rated Capacity
B-300	300 lbs.	260 lbs.
B-500	500 lbs.	360 lbs.
B-700	700 lbs.	550 lbs.
B-800	800 lbs.	600 lbs.
B-900	900 lbs.	660 lbs.
B-1150	1150 lbs.	N/A
B-1300	1275 lbs.	N/A
B-1500	1490 lbs.	N/A
B-1650	1605 lbs.	N/A

ELECTRICAL & PLUMBING/KM-650M_H

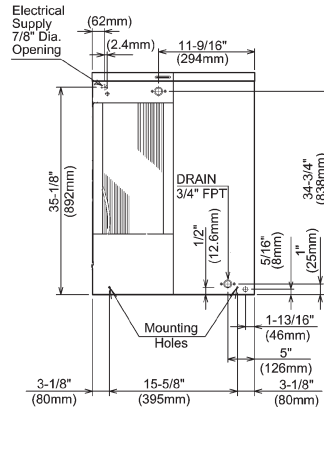
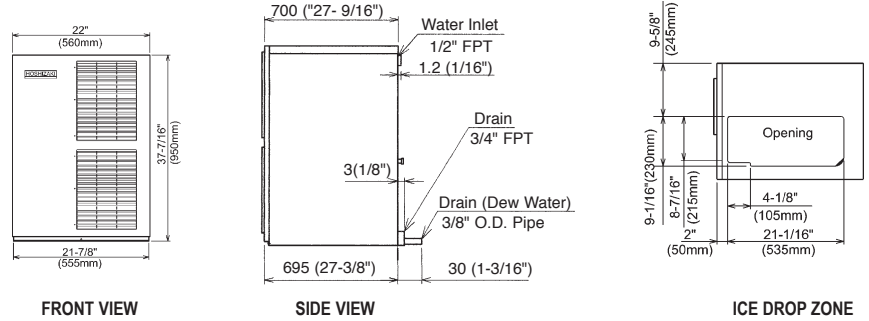
- 208-230/60/1 (3 wire with dedicated neutral for 115V)
- 15 Amp Max Fuse/HACR Breaker Size
- 3/8" OD copper or equivalent independent potable water supply
- 3/4" FPT independent drain connection



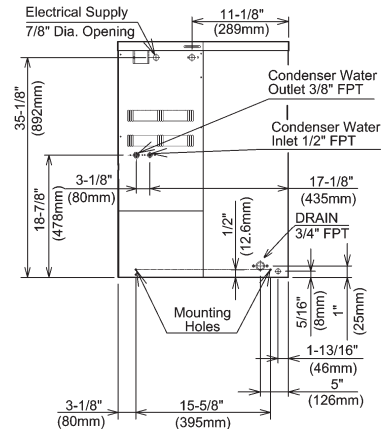
BSL09001-15C14301

© HOSHIZAKI AMERICA, INC.

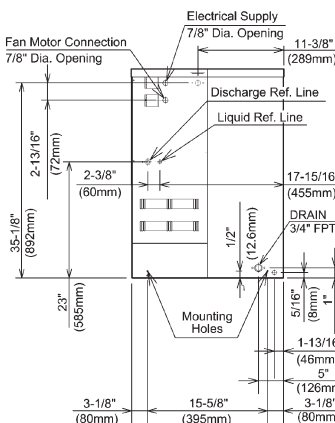
618 Hwy. 74 S., Peachtree City, GA 30269



AIR-COOLED UNIT



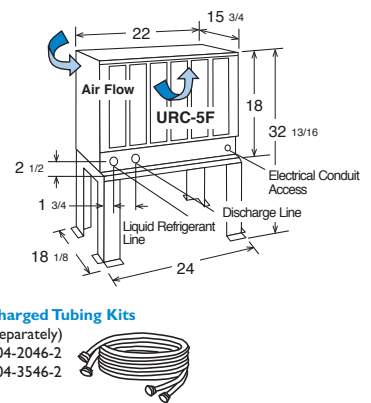
WATER-COOLED UNIT



REMOTE AIR-COOLED UNIT

URC-5F Remote Condenser (Sold Separately)

Voltage supply for the URC Remote Condenser is supplied from the Ice Maker. No additional circuit is required.



Pre-Charged Tubing Kits

(Sold Separately)

20' R404-2046-2

35' R404-3546-2



OPERATING LIMITS

- Ambient Temp Range 45 - 100°F
- Water Temp Range 45 - 90°F
- Water Pressure 10 - 113psig
- Voltage Range 187 - 253V

OPERATING LIMITS/URC-5F

- Ambient Temp Range -20°F - +122°F
- Voltage Range 104 - 127V

SERVICE

- Panels easily removed and all components accessible for service.
- Removable/cleanable air filters. (Air-cooled model only)

TEL 1-800-428-6987

Excel Marketing Group

FAX 1-800-345-1325

www.hoshizaki.com

Printed in U.S.A.

