

KML-631M_H

LOW-PROFILE MODULAR CRESCENT CUBER

Item # _____

Project: _____

Qty: _____
 *AutoCad available on KCL

KML-631M_H

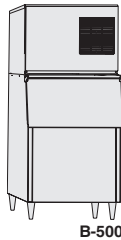
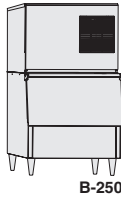
04/04/15

Item # 13192

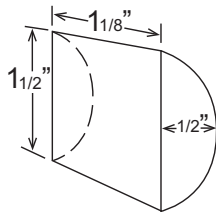
CUBER DIMENSIONS

W x D x H

KML-631M_H
 30 x 27^{3/8} x 26



*KM CUBE DIMENSIONS



*approximate size in inches, image not to scale



KML-631MAH

Air-Cooled
 Shown on an optional
 B-500

KML-631MWH

Water-Cooled

KML-631MRH

Remote Air-Cooled

- Up to 671 lbs. of ice production per 24 hours
- Durable stainless steel exterior
- Individual crescent cube
- Protected by H-GUARD Plus Antimicrobial Agent
- CycleSaver™ Design
- EverCheck™ alert system
- Stainless steel evaporator
- Removable air filters (Air-cooled models only)
- R-404A Refrigerant

* The KML-631MAH and KML-631MRH are ENERGY STAR qualified.

Warranty

Valid in United States, Canada, Puerto Rico, & U.S. Territories. Contact factory for warranty in other countries.

Three Year - Parts & Labor on entire machine.

Five Year - Parts & Labor on: Evaporator

Five Year - Parts on: Compressor, air-cooled condenser coil.



© HOSHIZAKI AMERICA, INC.



Hoshizaki

KML-63IM_H LOW-PROFILE MODULAR CRESCENT CUBER

DIMENSIONS
W x D x H
KML-63IM_H
30 x 27^{3/8} x 26

- Air-cooled
- Water-cooled
- Remote Air-cooled

AIR-COOLED

| Water Temp ° F. | 50° | 70° | 90° | |
|-----------------|-----|------------|-----|-----|
| Air Temp ° F. | 70° | 605 | 577 | 538 |
| 80° | 584 | 541 | 500 | |
| 90° | 577 | 510 | 469 | |

WATER-COOLED

| Water Temp ° F. | 50° | 70° | 90° | |
|-----------------|-----|------------|-----|-----|
| Air Temp ° F. | 70° | 671 | 656 | 622 |
| 80° | 660 | 636 | 595 | |
| 90° | 656 | 620 | 581 | |

REMOTE AIR-COOLED

| Water Temp ° F. | 50° | 70° | 90° | |
|-----------------|-----|------------|-----|-----|
| Air Temp ° F. | 70° | 645 | 632 | 591 |
| 80° | 635 | 614 | 561 | |
| 90° | 632 | 600 | 551 | |

UTILITY CONSUMPTION

| Model Number | Ice Production Per Cycle | | KWH per 100 LBS. 90/70 | Potable Water Gal. per 100 lbs. | Condenser Water Gal. per 100 lbs. |
|--------------|--------------------------|-------|------------------------|---------------------------------|-----------------------------------|
| | Lbs. | Cubes | | | |
| KML-631MAH | 10.5 | 480 | 5.7 | 16.0 | N/A |
| KML-631MWH | 10.5 | 480 | 4.2 | 16.0 | 120 |
| KML-631MRH | 10.7 | 480 | 5.3 | 16.0 | N/A |

SPECIFICATIONS

| Model Number | Condenser | Amperage | Min. Circuit Ampacity | Shipping Weight |
|--------------|-------------------|----------|-----------------------|-----------------|
| KML-631MAH | Air-Cooled | 8.1 | 20 A | 220 lbs. |
| KML-631MWH | Water-Cooled | 8.0 | 20 A | 217 lbs. |
| KML-631MRH | Remote Air-Cooled | 7.6 | 20 A | 220 lbs. |

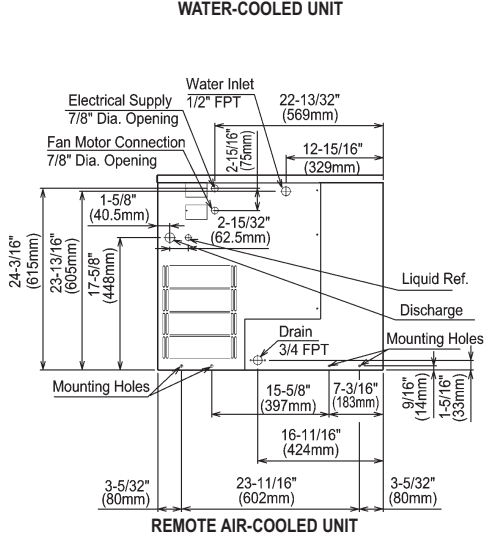
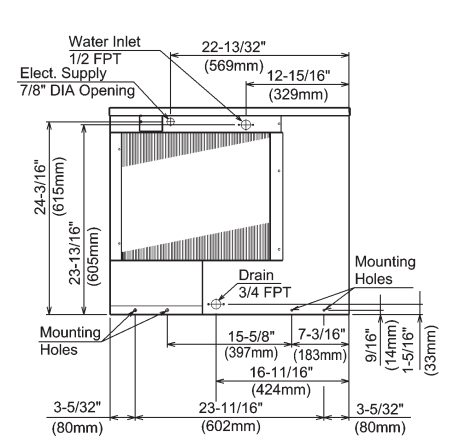
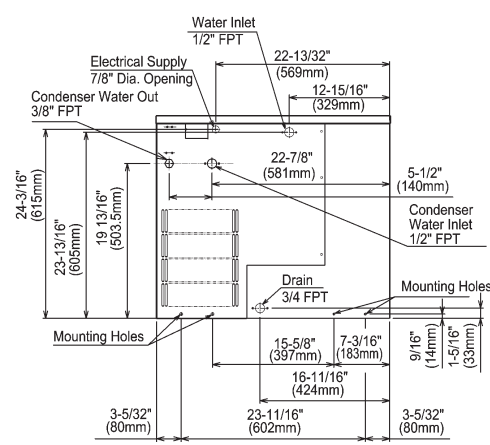
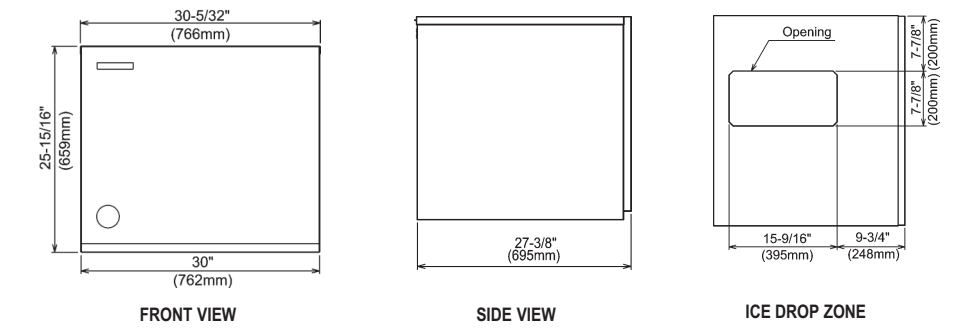
STORAGE BINS

| Model Number | AHRI-Rated Storage Capacity* |
|--------------|------------------------------|
| B-250 | 230 lbs. |
| B-500 | 360 lbs. |
| B-700 | 550 lbs. |
| B-800 | 600 lbs. |
| B-900 | 660 lbs. |
| B-1150 | 900 lbs. |
| B-1300 | 950 lbs. |
| B-1500 | 1120 lbs. |
| B-1650 | 1210 lbs. |

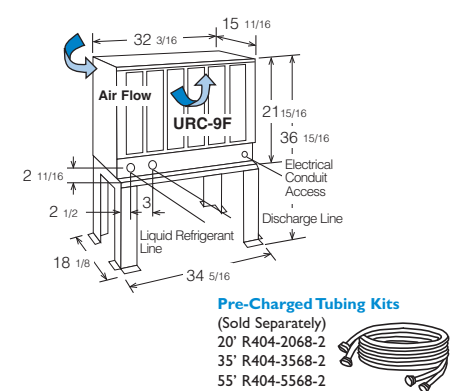
* Rated in accordance with AHRI Standard 820 (I-P)

ELECTRICAL & PLUMBING/KML-63IM_H

- 208-230/60/1 (3 wire with dedicated neutral for 115V)
- 20 Amp Max Fuse/HACR Breaker Size
- Ice Maker Water Supply Line: Minimum 1/4" Nominal ID Copper Water Tubing or Equivalent
- Ice Maker Drain Line: Minimum 3/4" Nominal ID Hard Pipe or Equivalent



URC-9F Remote Condenser (Sold Separately)
For Use with KML-631MRH



Voltage supply for the URC Remote Condenser is supplied from the Ice Maker. No additional circuit is required.

ELECTRICAL & PLUMBING

- Water-Cooled Model (Lines Must Be Independent of Ice Maker)
- Condenser Water Supply Line: Minimum 1/4" Nominal ID Copper Water Tubing or Equivalent
 - Condenser Drain/Return Line: Minimum 1/4" Nominal ID Hard Pipe (open drain system) or Copper Water Tubing (closed loop system) or Equivalent

SERVICE

- Panels easily removed and all components accessible for service.
- Removable/cleanable air filters (Air-cooled models only)

OPERATING LIMITS

- Ambient Temp Range 45 - 100°F
- Water Temp Range 45 - 90°F
- Water Pressure 10 - 113psig
- Voltage Range 187 - 253V

CONDENSING UNIT

- Voltage Range 104 - 127V
- Ambient Temp Range -22 - 122°F

