

# DM-200B

## ICE AND WATER DISPENSER

Item # \_\_\_\_\_

Project: \_\_\_\_\_

Qty: \_\_\_\_\_

\*AutoCad available on KCL

DM-200B

04/18/16

Item #13051

### DIMENSIONS

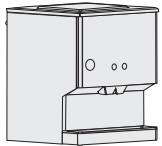
W x D x H

#### DM-200B

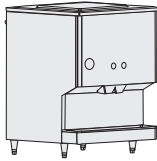
30 x 28 x 36<sup>3/8</sup>

#### SD-200

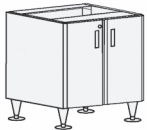
30 x 28 x 32<sup>13/16</sup>



DM-200  
Countertop



DM-200  
Countertop  
with optional  
4" legs



SD-200  
optional  
stand



### DM-200B

Shown on an optional  
**SD-200 Stand**

#### DM-200B

- Ice storage capacity of 140 lbs.\*
- Dispenses ice and water with the touch of a button
- Accommodates ice machine or manual fill
- Dispenses 7.5 lbs. of ice per minute
- Width is 30 inches
- Durable stainless steel exterior
- Unique auger agitator design dispenses individual cubes
- Fills large cups quickly
- Optional 4" legs

#### SD-200 Stand

- Heavy duty stand for floor model icemaker/dispenser
- Corrosion resistant stainless steel exterior
- Easy cleaning with attractive appearance
- Locking doors standard on SD-200

#### Warranty

Valid in United States, Canada, Puerto Rico, & U.S. Territories. Contact factory for warranty in other countries.

**Two Year** - Parts & Labor on dispenser.

**Three Year** - Parts & Labor on bin.

\*Rated in accordance with AHRI Standard 820 (I-P)



ISO9001-ISO14001

© HOSHIZAKI AMERICA, INC.

618 Hwy. 74 S., Peachtree City, GA 30269

TEL 1-800-438-6087

FAX 1-800-345-1325

www.hoshizaki.com



# Hoshizaki

## DM-200B ICE AND WATER DISPENSER

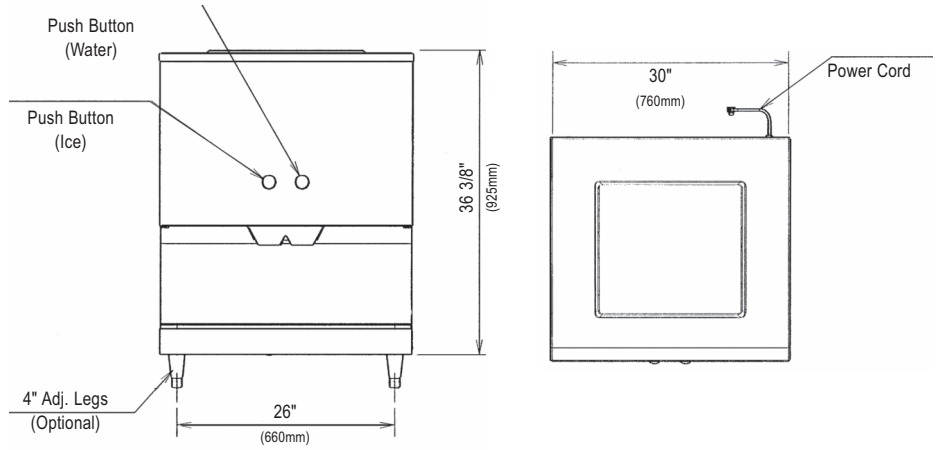
### DIMENSIONS

W x D x H  
**DM-200B**  
 30 x 28 x 36<sup>3/8</sup>  
**SD-200**  
 30 x 28 x 32<sup>13/16</sup>

- Ice and water dispenser
- Optional stand with locking doors

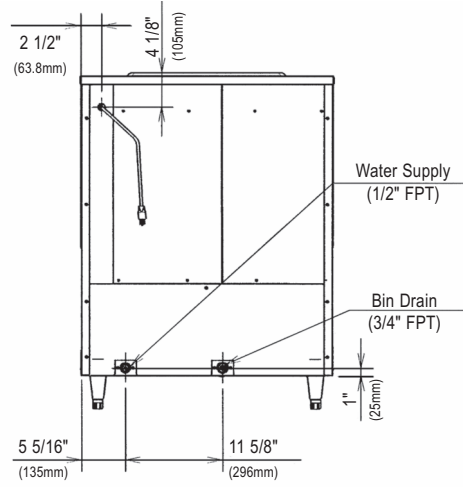
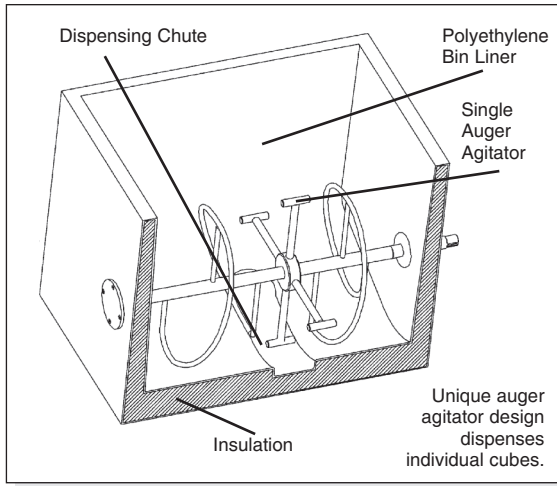
### SPECIFICATIONS

Model Number	Amperage	Min. Circuit Ampacity	Shipping Weight
DM-200B	1.4	15 A	240 lbs.
SD-200	N/A	N/A	125 lbs.

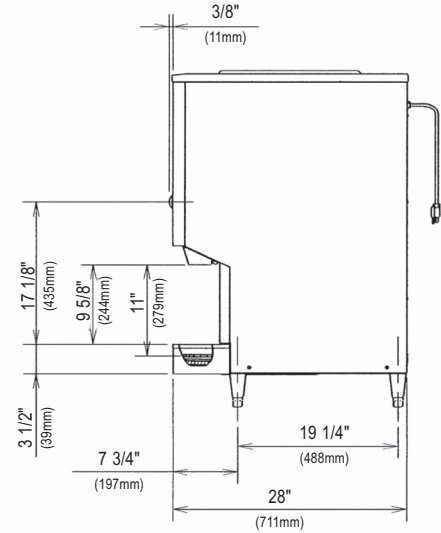


FRONT VIEW

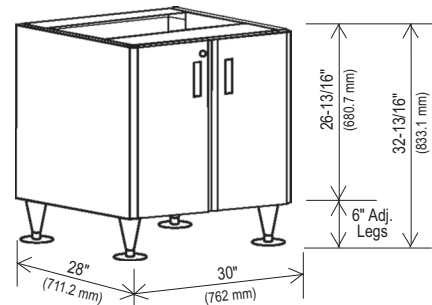
TOP VIEW



REAR VIEW



SIDE VIEW



SD-200

### ELECTRICAL & PLUMBING/DM-200B

- 115-120V/60/1
- Water Supply Line: Minimum 1/8" Nominal ID Copper Water Tubing or Equivalent
- Drain Line: Minimum 3/4" Nominal ID Hard Pipe or Equivalent

### OPTIONS

- 4" leg kit
- Top Kit (HS-2036) - to accommodate KM-340M, KM-515M, KM-600M, or KM-650M ice machines

### OPERATING LIMITS

- Ambient Temp Range 45 - 100°F
- Water Temp Range 45 - 90°F
- Water Pressure 10 - 113psig
- Voltage Range 104 - 132V

### SERVICE

- Panels easily removed and all components accessible for service.



ISO9001 • ISO14001

© HOSHIZAKI AMERICA, INC.

618 Hwy. 74 S., Peachtree City, GA 30269

TEL 1-800-438-6087

FAX 1-800-345-1325

www.hoshizaki.com

Printed in U.S.A.

