



Item # _____

Project _____

Date _____

High-Speed Brew Urn - Twin 10 gallon

High Capacity: Two Independent Brewing Systems

Models 87710E

Electric



Features:

- **Simultaneous Two Side Brewing**
Water is heated in large water compartment and is sprayed over the grounds by two independently controlled water pumps.
- **Durable Construction**
All A.I.S.I. type 304, 18-8 stainless steel
- **Constant Brew Temperature**
Brew temperature varies less than 5°F (3°C) throughout spray over
- **Automatic Coffee Agitation**
Thoroughly mixes brewed coffee immediately after spray over is completed
- **Automatic refill of water compartment**
Water compartment automatically refills and reheats as needed.
- **Low water cutoff System**
Protects heating elements from burn out, at start-up or in operation.
- **Velvet Smooth Spray Arms**
Teflon® coating on spray arm pistons prevents liming and insures smooth operation positive "stops" on spray arm for operator ease.

Easy to operate:

- **Fully Automatic – Push Button Operation**
Simply load brew basket with coffee, align spray arm over basket lid hole and press brew start button.
- **Easy Adjustment of spray over rate**
Simple screwdriver adjustment. No awkward changing of parts
- **Adjustable Bypass valve on spray arm**
Enables proper coffee extraction even with variable water conditions
- **Dial Thermometer with color-marked brew zone**
- **Thermostat adjustable from front**
Knob on thermostat has four marked positions: Brew, Hold, Night Standby and Off.

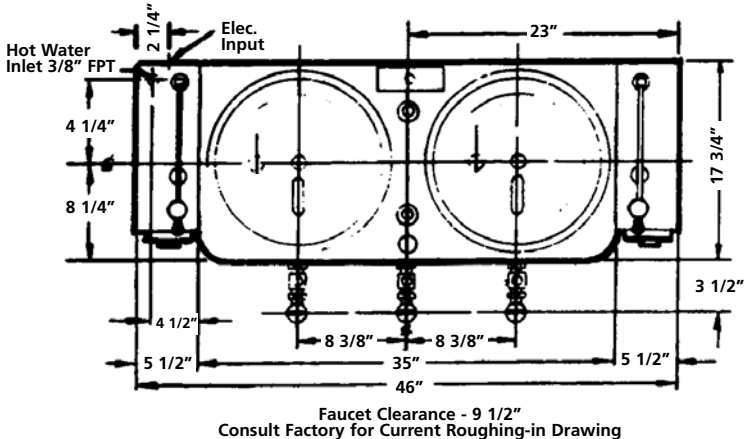
Serviceable

- **Drain valve in bottom**

High-Speed Brewing

Twin 10 Gallon Automatic Coffee Urn

ROUGHING-IN DATA



Model No.	87710	
Coffee Capacity (Each Liner)	10 Gal.	
Actual Brew Time Per Liner	14 Mins.	
Brews Per Hour	8	
Gallons Per Hour	80	
No. of 5 Oz. Cups Per Hour	2050	
Heater Size - KW	15 KW	
Heater Voltage	240V	208V
Amperes Drawn - 1 Ph	63	72
Amperes Drawn - 3 Ph	36	42

* For 480V-3Ph supply - divide amperes for 20V-3Ph by 2.
NOTE - Must be connected to 140°-160° hot water supply.

Brews	3 Gal.	6 Gal.	10 Gal.	1/2 Batch on 6 Gal.	1/2 Batch on 10 Gal.
Part No.	BB3	BB6	BB810	BB6-3	BB810-6

NOTE: All SS Permanent Filter Brew Basket with SS woven wire cloth bottom is available. Filter paper is available from our stock. See price list.

Design Specification

Twin 10 gallon fully automatic coffee urn capable of simultaneously brewing on both sides with two spray arms and with adjustable bypass valves capable of bypassing up to 50% of the amount sprayed over. Each spray arm shall be controlled by its own timer - all controls located on right hand and left hand ends and operate on 120 volts AC. Dual wall fiberglass insulated, all AISI 304, 18-8 stainless steel construction. To include: positive low water cutoff system, automatic refill, automatic air agitation with plug-in type top coffee gage fittings, by-pass on spray arm, variable sprayover rate, two all stainless steel brew baskets for paper filters. Two year parts and one year labor warranty included. Urn to be hooked to 140°-160° hot water. Requires connection to separate 120 volt supply. 6' cord and plug supplied. U.L. listed, NSF approved.

Include following options: Select as desired.

- Option 47 Low Temp No Brew
- Option 57 Jug Filler Hose
- One Extra S.S. Brew Basket For Filter Paper
- Option ___ Any other option as selected

Double Service (Self Service) Faucet Options

- Opt. DS-1 2 Coffee, 1 Water, No Gages Rear
 - Opt. DS-2 2 Coffee, 1 Water, With Gages Rear
 - Opt. DS-___ Other Double Service Options As Selected.
- AMW Model 88710E • 87710S with options specified above or alternate model of (*other manufacturer*) including all features and options specified above.

Electric Services Available

- 208V Single Phase - 2 Wire
 - 208V Three Phase - 3 Wire
 - 240V Single Phase - 2 Wire
 - 240V Three Phase - 3 Wire
 - 480V Three Phase - 3 Wire - Extra Cost
- Requires connection to 120 VAC, 3-wire 15 amp circuit. 6 foot cord and plug supplied.



GRINDMASTER™
CORPORATION

Grindmaster® Coffee Grinders and Brewers • PrecisionBrew™ Brewing Systems • Espresso® Espresso Machines
Crathco® Hot Beverage Dispensers • Crathco® Cold and Frozen Beverage Dispensers • AMW Coffee and Tea Systems
Tel (502) 425-4776 • Fax (502) 425-4664 • 1-800-695-4500 (USA & Canada only)