

www.fogelusa.com



Bottom Mount Reach Ins

- Stainless Steel Doors
- Heavy duty hinge with self closing mechanism
- Exterior galvanized pre-painted steel
- Stainless steel floor, Aluminum interior
- Recessed handle
- Heavy duty epoxy shelves
- Digital Display
- Robust body with 2-1/2", thick walls, injected with CFC-free polyurethane
- UL Classified to ANSI/NSF 7
- Forced air evaporator for quick temperature "Pull Down" made of copper and aluminum
- Heavy duty condensing unit with R-134a refrigerant, located on bottom for easy access maintenance
- 10' power cord

Model No.	Description	Size DxLxH	Voltage	Amps	HP	Cubic Feet	Est. Ship Wt
VR-17-A-SA-US	1 Door/3 Shelves	25.75" x 30" x 74"	115	3.8	1/4	17	240#
CR-23-A-SA-US	1 Door/4 Shelves	29.5 x 30" x 78"	115	4.0	1/4	23	318#
CR-49-A-SA-US	2 Door/8 Shelves	29.5" x 60" x 78"	115	6.5	1/3	49	466#
CR-65-A-SA-US	3 Door/12 Shelves	29.5" x 76.75 x 78"	115	10.2	1/2	65	760#

Fogel USA

831 Easy Cayuga St • Philadelphia, PA 19124 • 1-800-344-8222 • 1-215-464-6800
Fax: 1-215-969-4890 • Email: sales@fogelusa.com • www.fogelusa.com

Excell Marketing Group

Reach In Refrigerators—Bottom Mount



Technical Data

Model #	VR-17-A-SA-US	CR-23-A-SA-US	CR-49-A-SA-US	CR-65-A-SA-US
Outside Dimensions				
Depth	25.75"	29.5"	29.5"	29.5"
Length	30"	30"	60"	76.75"
Height	74"	78"	78"	78"
Door Size	30.75" x 45.875"	30" x 51.75"	30" x 51.75"	30" x 51.75"
Door Type	1 swing	1 swing	2 swing	3 swing
Inside Dimensions				
Depth	21.75"	25.5"	25.5"	25.5"
Length	25.25"	25.25"	55.25"	72"
Height	54.375"	61.25"	61.25"	61.25"
Shelf Size	24.5"x19.5"	24.56"x23.125"	27.125"x21.688"	(8) 22.125"x22.375" (4) 27.75"x22.375"
# of Shelves	3	4	8	12
Capacity: Cubic Foot	17	23	49	65
Specifications				
Operating Temperature	32°F-39°F	32°F-39°F	32°F-39°F	32°F-39°F
Refrigerant	R-134a	R-134a	R-134a	R-134a
Compressor Size HP	1/4	1/4	1/3	1/2
Voltage	115	115	115	115
Amperage	3.8	4.0	6.5	10.2
Cord and Plug	yes	yes	yes	yes
Shipping Dimensions				
Depth	26.375"	31.875"	31.875"	31.875"
Length	30.625"	32.375"	62.375"	80.375"
Height	77.5"	81.75"	81.75"	81.75"
Gross Weight lbs.	240	318	466	760
Cubic feet	36	48	92	119

- Cases are designed to operate at 75° Fahrenheit and 55% relative humidity.
- Specification subject to change without notice.



831 E Cayuga Street, Philadelphia, PA 19124 USA • (215) 464-6800 • 1-800-344-8222
 Fax (215) 969-4890 • E-Mail: sales@fogelusa.com • www.fogelusa.com

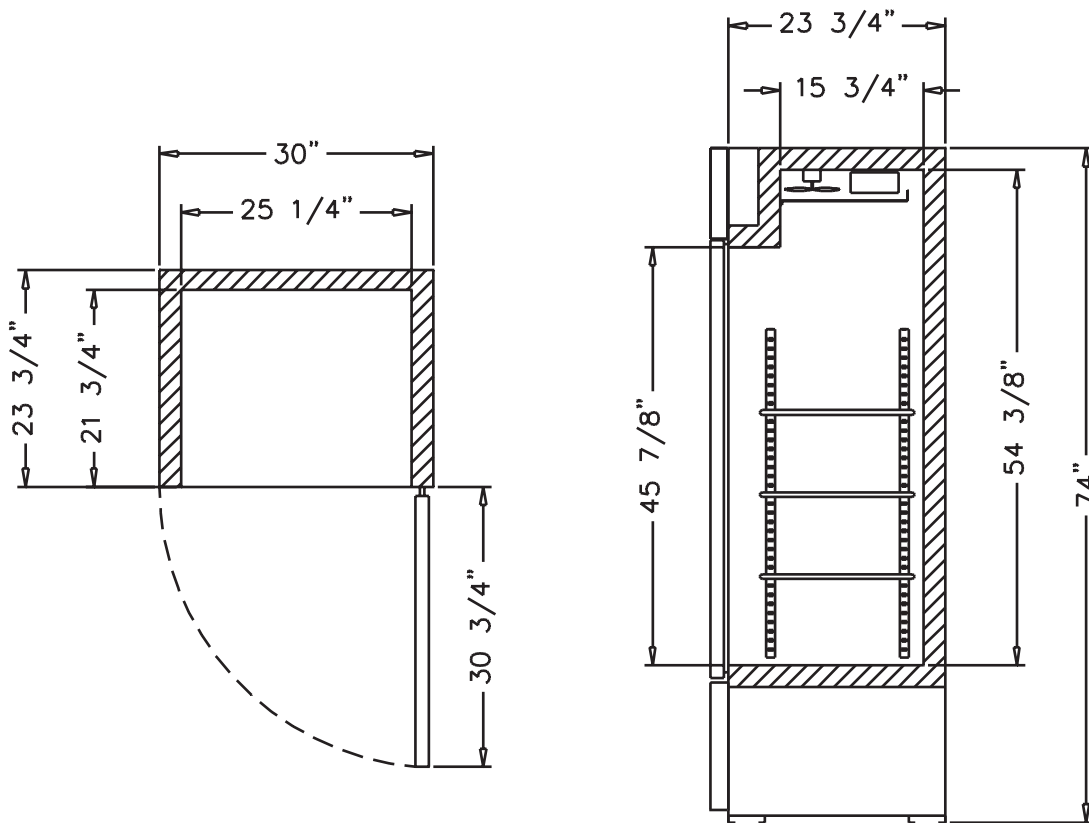
FOGEL GROUP USA, LLC



Reach In Refrigerators—Bottom Mount

Technical Data - Side View - Plan View

VR-17-A-SA-US Side View - Plan View



• Specification subject to change without notice.

FOGEL GROUP USA, LLC

831 E Cayuga Street, Philadelphia, PA 19124 USA • (215) 464-6800 • 1-800-344-8222
Fax (215) 969-4890 • E-Mail: sales@fogelusa.com • www.fogelusa.com

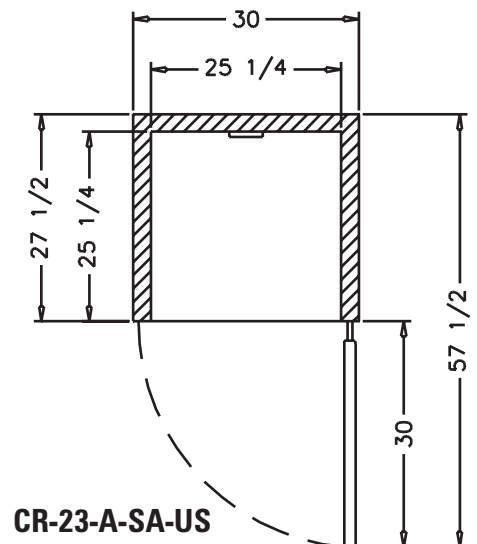
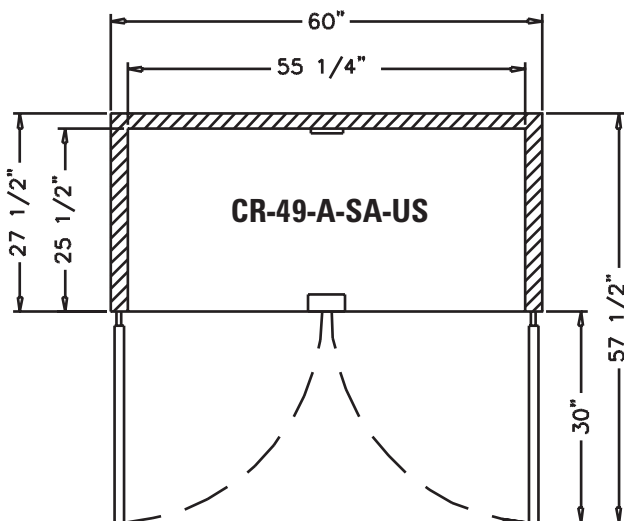
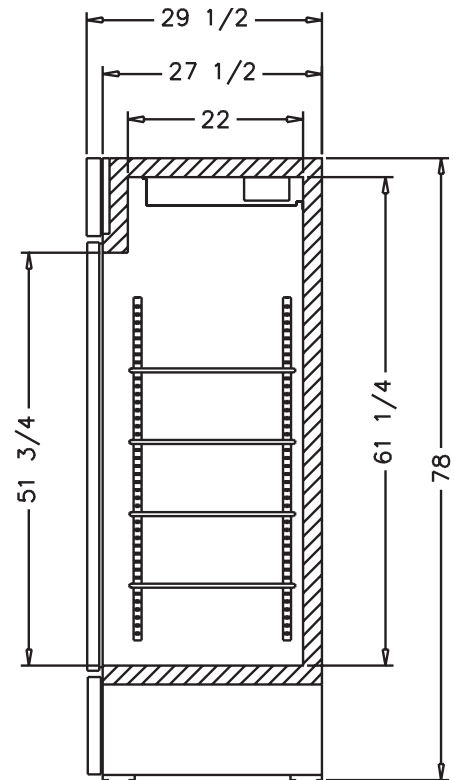
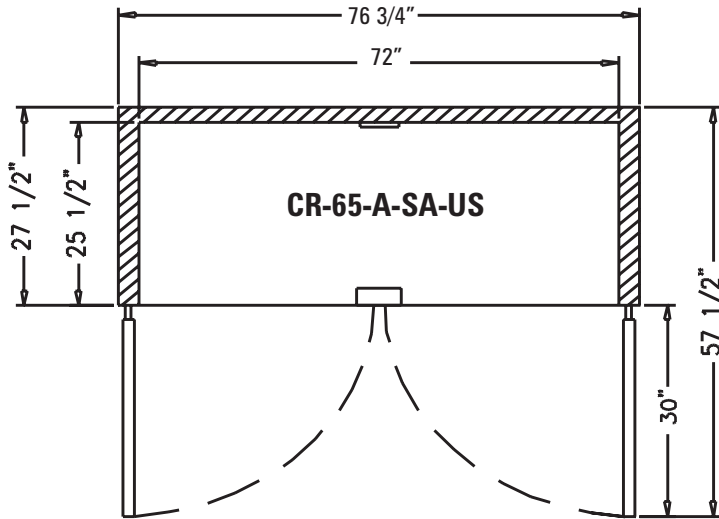




Reach In Refrigerators—Bottom Mount

Technical Data - Side View - Plan View

CR-23-A-SA-US, CR-49-A-SA-US, CR-65-A-SA-US, Side View - Plan View



• Specification subject to change without notice.

• Specification subject to change with out notice.

FOGEL GROUP USA, LLC

831 E Cayuga Street, Philadelphia, PA 19124 USA • (215) 464-6800 • 1-800-344-8222
Fax (215) 969-4890 • E-Mail: sales@fogelusa.com • www.fogelusa.com

