



Electrolux

Manual Equipment
CT6 Tomato Slicer, 1/4",
manual

ITEM # _____

MODEL # _____

NAME # _____

SIS # _____

AIA # _____



Electrolux



Manual Equipment
CT6 Tomato Slicer, 1/4", manual
601443 (CT6U) CT6U - Tomato Slicer,
manual, 1/4" slice, 11 slices,
aluminum and stainless steel
construction, suction cup
base

Short Form Specification

Item No. _____

CT6U-Tomato Slicer, manual, 1/4" slice, 11 slices, aluminum & stainless steel construction, suction cup base

Main Features

- Slices are cut evenly and cleanly without crushing thus retaining the original shape after cutting.
- Table stand with 4 suction pads for better stability.
- Easy dismantling without any tools.
- Easy cleaning under running water.
- Dimensions (HxLxW): 240 mm x 427 mm x 145 mm.
- In normal use, around 20 tomatoes can be sliced in a minute

Included Accessories

- 1 of Tomato guide for 1/4" slicer PNC 653099
- 1 of Blade assembly for 1/4" tomato slicer PNC 653100

Optional Accessories

- Tomato guide for 1/4" slicer PNC 653099
- Blade assembly for 1/4" tomato slicer PNC 653100
- Cutting block for 3/8" tomato slicer PNC 653107
- Tipper support for tomato slicer PNC 653282
- Tomato guide for 3/8" tomato slicer PNC 653444



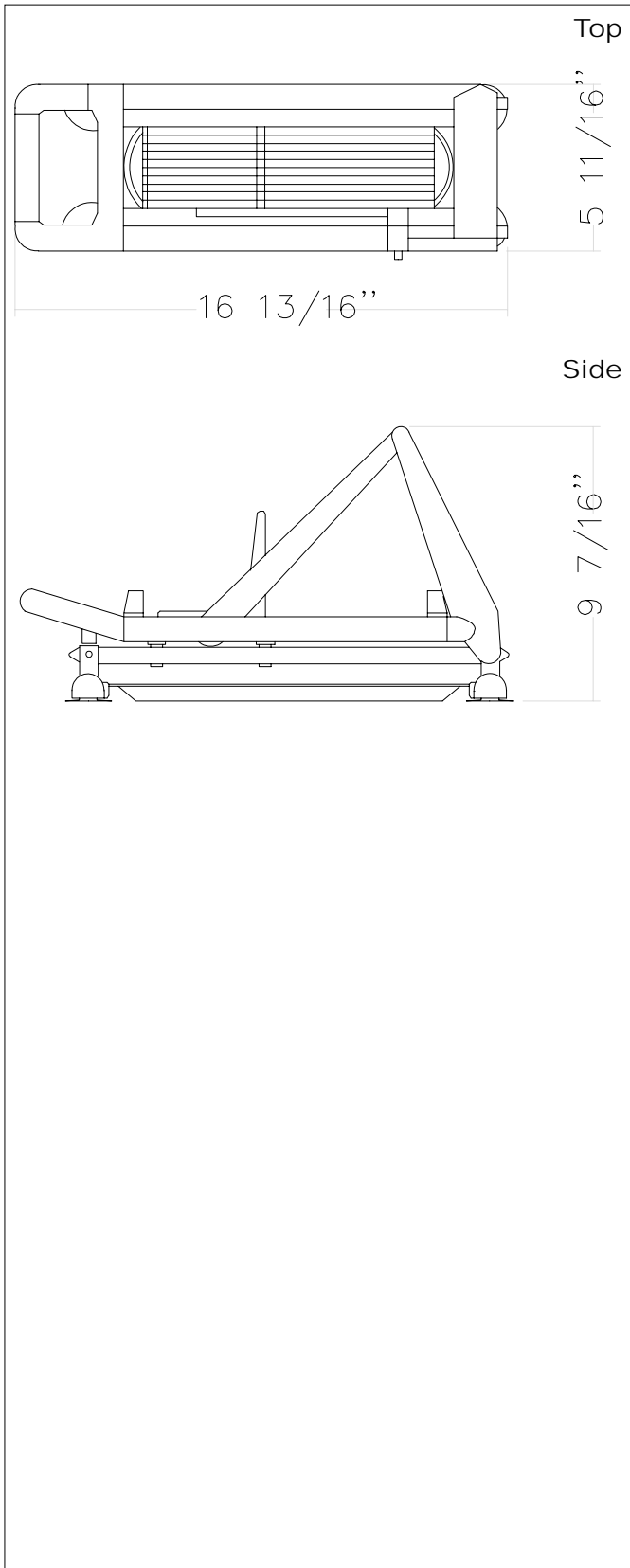
APPROVAL: _____

Manual Equipment
CT6 Tomato Slicer, 1/4", manual



Electrolux

Manual Equipment CT6 Tomato Slicer, 1/4", manual



Key Information:

External dimensions, Width:

601443 (CT6U) 5 11/16" (145 mm)

External dimensions, Depth: 16 13/16" (427 mm)

External dimensions, Height: 9 7/16" (240 mm)

**Manual Equipment
CT6 Tomato Slicer, 1/4", manual**

The company reserves the right to make modifications to the products without prior notice. All information correct at time of printing.

2014.05.27