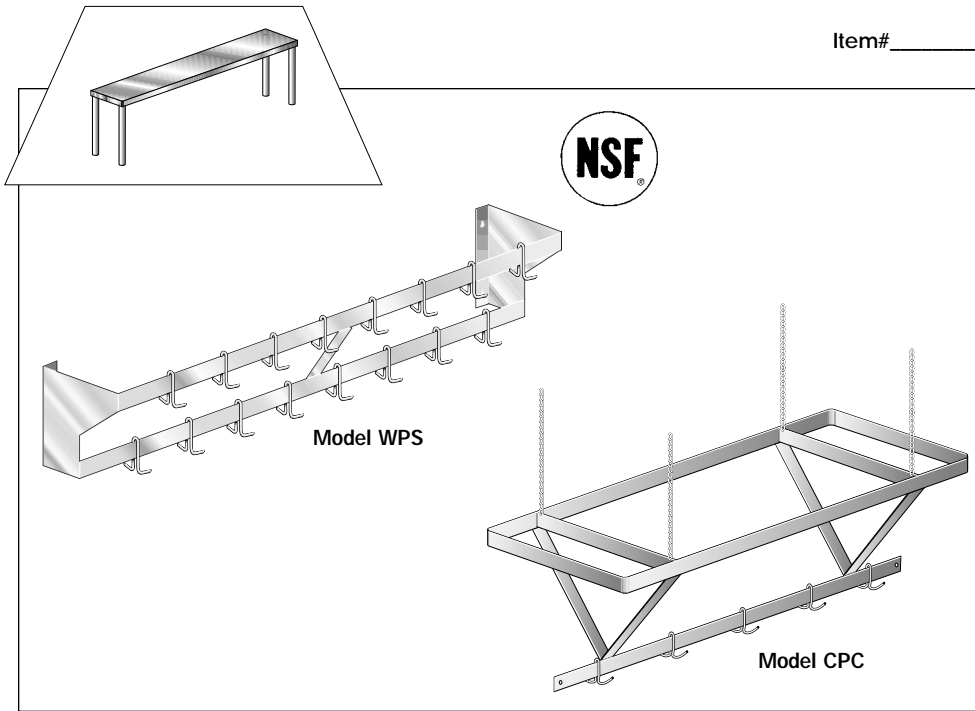




WALL & CEILING POT RACKS

WP/CP/SBPR/CPR SERIES

Item# _____ Project _____



Quantity	GREYCOAT Model #	STAINLESS STEEL Model #
WP SERIES		
_____	WPC-24	WPS-24
_____	WPC-36	WPS-36
_____	WPC-48	WPS-48
_____	WPC-60	WPS-60
_____	WPC-72	WPS-72
_____	WPC-84	WPS-84
_____	WPC-96	WPS-96
_____	WPC-108	WPS-108
_____	WPC-120	WPS-120
_____	WPC-132	WPS-132
_____	WPC-144	WPS-144

CP SERIES		
_____	CPC-36	CPS-36
_____	CPC-48	CPS-48
_____	CPC-60	CPS-60
_____	CPC-72	CPS-72
_____	CPC-84	CPS-84
_____	CPC-96	CPS-96
_____	CPC-108	CPS-108
_____	CPC-120	CPS-120
_____	CPC-132	CPS-132
_____	CPC-144	CPS-144

SBPR SERIES		
_____	SBGPR-36	SBSPR-36
_____	SBGPR-48	SBSPR-48
_____	SBGPR-60	SBSPR-60
_____	SBGPR-72	SBSPR-72
_____	SBGPR-84	SBSPR-84
_____	SBGPR-96	SBSPR-96
_____	SBGPR-108	SBSPR-108
_____	SBGPR-120	SBSPR-120

CPR SERIES		
_____	CGPR-44	CSPR-44

MATERIAL

TOP

- WPC - 2" x 3/16" painted flat bar.
- CPC - 2" x 3/16" painted flat bar.
- SBGPR - 2" x 3/16" painted flat bar.
- CGPR - 2" x 3/16" painted flat bar.
- WPS - 2" x 3/16" 304 stainless steel flat bar.
- CPS - 2" x 3/16" 304 stainless steel flat bar.
- SBSPR - 2" x 3/16" 304 stainless steel flat bar.
- CPSR - 2" x 3/16" 304 stainless steel flat bar.
- Plated pot hooks (one per rung per foot).
- Ceiling mount complete with set of 4-24" long plated chains.

DESIGN FEATURES

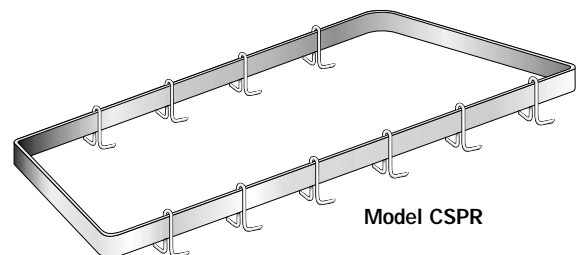
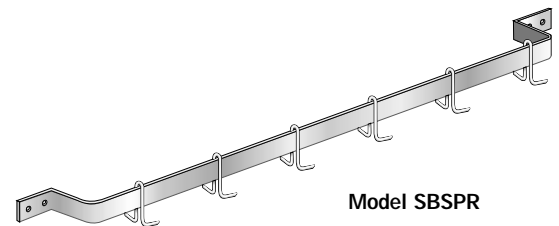
- All pot racks fully cartoned.
- Fully welded—ready to use.

CONSTRUCTION

- Stainless steel racks are polished to a #4 mill finish.
- Heliarc welded construction creates uniform, rock-solid unit.
- Greycoat racks are painted with NSF approved grey enamel.

NOTE:

- Call for custom sizes and configurations.
- For table mounting pot racks, see Flexible Workcenter page SP-6A, SP-6B.



**AT AERO
WE PROVIDE
CUSTOM EQUIPMENT
AT PRODUCTION PRICES!**

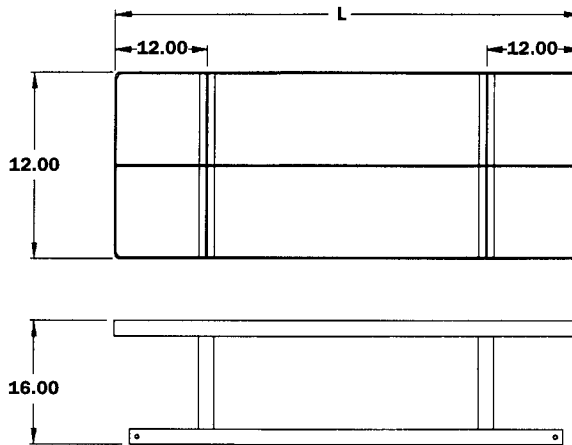
BUILT TO LAST A LIFETIME

email - sales@aeromfg.com

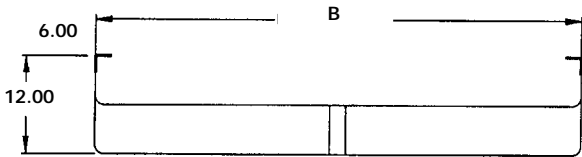
AERO MANUFACTURING COMPANY • 310 ALLWOOD ROAD, CLIFTON, NEW JERSEY 07012 • VOICE 973.473.5300 FAX 973.473.3794

DIMENSIONAL SPECIFICATIONS

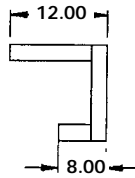
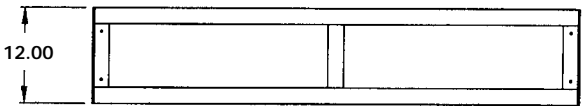
WP/CP/SBPR/CPR SERIES



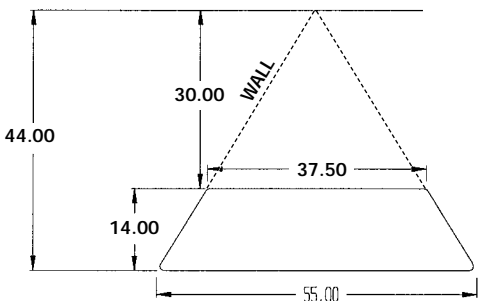
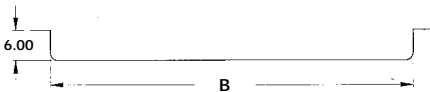
Model CPC



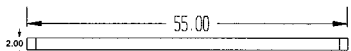
Model WPS



Model SBGPR



Model CSPR



A Width	B Length	GREYCOAT Model #	STAINLESS STEEL Model #	Ship Weight	Cubic Feet
WP SERIES					

12	24	WPC-24	WPS-24	14	3
12	36	WPC-36	WPS-36	14	3
12	48	WPC-48	WPS-48	16	4
12	60	WPC-60	WPS-60	18	5
12	72	WPC-72	WPS-72	21	6
12	84	WPC-84	WPS-84	24	7
12	96	WPC-96	WPS-96	26	8
12	108	WPC-108	WPS-108	28	9
12	120	WPC-120	WPS-120	31	10
12	132	WPC-132	WPS-132	34	11
12	144	WPC-144	WPS-144	37	12

A Width	B Length	GREYCOAT Model #	STAINLESS STEEL Model #	Ship Weight	Cubic Feet
CP SERIES					

24	36	CPC-36	CPS-36	23	6
24	48	CPC-48	CPS-48	26	7
24	60	CPC-60	CPS-60	29	9
24	72	CPC-72	CPS-72	32	11
24	84	CPC-84	CPS-84	36	13
24	96	CPC-96	CPS-96	44	15
24	108	CPC-108	CPS-108	48	17
24	120	CPC-120	CPS-120	51	18
24	132	CPC-132	CPS-132	55	20
24	144	CPC-144	CPS-144	58	22

A Width	B Length	GREYCOAT Model #	STAINLESS STEEL Model #	# Hooks
SBPR SERIES				

6	36	SBGPR-36	SBSPR-36	6
6	48	SBGPR-48	SBSPR-48	9
6	60	SBGPR-60	SBSPR-60	9
6	72	SBGPR-72	SBSPR-72	9
6	84	SBGPR-84	SBSPR-84	9
6	96	SBGPR-96	SBSPR-96	9
6	108	SBGPR-108	SBSPR-108	9
6	120	SBGPR-120	SBSPR-120	9

A Width	B Length	GREYCOAT Model #	STAINLESS STEEL Model #	# Hooks
CPR SERIES				

44	44	CGPR-44	CSPR-44	7
----	----	---------	---------	---

All dimensions are typical (tol. ±1/2"). • For Accessories and Options see pages TS-5A & TS-5B.

email - sales@aeromfg.com

AERO MANUFACTURING COMPANY • 310 ALLWOOD ROAD, CLIFTON, NEW JERSEY 07012 • VOICE 973473.5300 FAX 973.473.3794