



SPA-160 • SFA-191 Ice Dispensers

Model

- SPA-160 SFA-191

ONLY 22" WIDE

SPA Model

Designed for ice bucket filling in hotels, motels, and resorts

Ice only dispense, with coin-op and room card dispensing control options



Indigo Series 522 Ice Machine
SPA-160 Ice Dispenser

SFA Model

Designed for "large" container ice filling. Accepts up to 10.5" (26.67 cm) high container

Built-in water valve



Indigo Series 522 Ice Machine
SFA-191 Ice & Water Dispenser

Standard Features

- 120 lbs. (54.4 kgs.) ice storage capacity. Accepts 22" (55.88 cm) wide Manitowoc ice machine.
- Only 22" (55.88 cm) wide, 31" (78.7 cm) deep, and 75.5" high (191.77 cm).
- Patented rocking chute dispense mechanism reduces in-flight ice and ice spillage with quick on/off activation.
- Efficient built-in agitator assures 100% dispensing. Oversized drain pan collects larger quantity of ice overflow.
- DuraTech™ exterior provides superior corrosion resistance. Stainless finish with innovative clear-coat resists fingerprints and dirt.

Warranty

- 5-year parts and 5-year labor coverage on ice machine evaporator.
- 5-year parts and 3-year labor coverage on ice machine compressor.
- 3-year parts-and-labor coverage on all other ice machine and dispenser components.

Ice Shape



Half Dice
3/8" x 1 1/8" x 7/8"
(.95 x 2.86 x 2.22 cm)



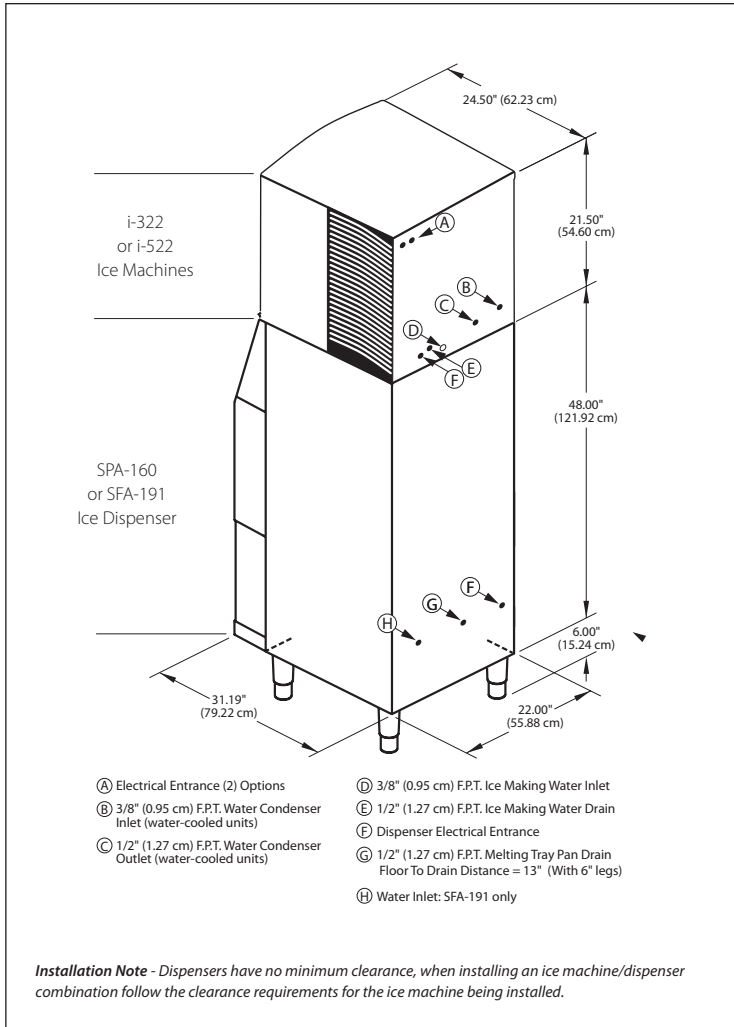
Dice
7/8" x 7/8" x 7/8"
(2.22 x 2.22 x 2.22 cm)



QUALITY MANAGEMENT SYSTEM
CERTIFIED BY DNV
ISO 9001:2008



SPA-160 • SFA-191 Ice Dispensers



Ice Machine Electric

Note: Dispenser will accept single 22" wide ice machine. Ice machine ordered separately. Choose Dice or Half Dice cube size. Refer to ice machine specification sheet for electrical and complete AHRI standard ratings.

Dispenser Electric:

115/60/1. (208-230/60/1 and 230/50/1 also available.)

Maximum Circuit Fuse Size:

15.0 amps. HACR-type circuit breakers can be used in place of fuses.

Dispenser Electrical Connection:

6' power cord, rated 125 VAC, 16-3 conductors with standard 3-prong, straight-blade, ground-type plug (NEMA configuration 5-15P).

Motor:

1.6 amps maximum. Permanently lubricated.

Service Access:

Dispenser door removes easily to access components.

Model Options:

SPA-160 push-for-ice rocking chute, SCA-163 coin-op and SRA-164 room card control available. To field-convert SPA-160 to SRA-164, call factory for information. SFA-191 has a water valve option.

Series 322 (115 volt)

Model	Ice Shape	Ice Production 24 Hours			
		70°Air/50°F Water		90°Air/70°F Water	
		lbs.	kgs.	lbs.	kgs.
ID-0322A	dice	335	152	225	102
ID-0323W	dice	330	150	270	122
IY-0324A	half-dice	350	159	230	104
IY-0325W	half-dice	350	159	290	132

Series 522 (115 volt)

Model	Ice Shape	Ice Production 24 Hours			
		70°Air/50°F Water		90°Air/70°F Water	
		lbs.	kgs.	lbs.	kgs.
ID-0522A	dice	475	215	325	147
ID-0523W	dice	460	209	375	170
IY-0524A	half-dice	485	220	340	154
IY-0525W	half-dice	480	218	395	179

Lumince™ Growth Inhibitor reduces yeast and bacteria growth for a cleaner ice machine.



Options for SPA-160:



Room Card
SRA-164



Coin-Op
SCA-163
25-cent coin standard.