



Item No. _____

Quantity _____

Model No. 56450-1 & 56450-2



Monster FryKutter

The Monster FryKutter is a 1/4" or 3/8" square cut. The cutter is made from aluminum casting with 300 series stainless blades. The blade assembly is two tier to cut extra large potatoes and is easily removed by turning the black knobs on the top of the FryKutter. The black polymer push block is removed by two thumb screws. The custom Monster FryKutter is great for those Extra large monster potatoes.



Standard Features:

- 1/4" square cut
- 3/8" square cut
- 300 series stainless steel blades
- Aluminum body
- Two year parts and labor warranty
- NSF Listed

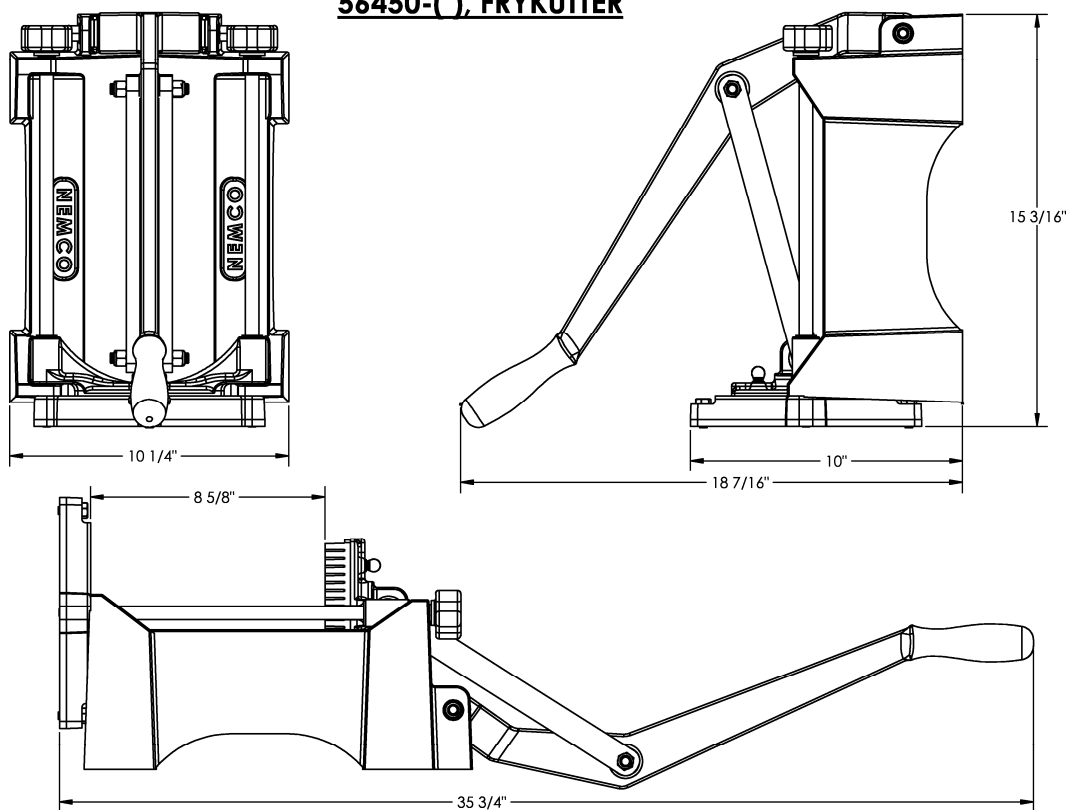
NEMCO Food Equipment, Ltd.
301 Meuse Argonne Ave.
Hicksville, OH 43526
Phone 419-542-7751
FAX 419-542-6690
www.nemcofoodequip.com

Printed 1/09 Printed in U.S.A.

Monster FryKutter

Model No. 56450-1, 2

56450-(), FRYKUTTER



SPECIFICATIONS

Model No.	Width Inches / (cm)	Depth Inches/(cm)	Height Inches/(cm)	Unit Weight lbs./(Kg)	Shipping Weight lbs./(Kg)
56450-1	10 3/4" (27.3)	10.0" (25.4)	15 3/16" (38.6)	24 1/2 (11.1)	27 (12.2)
56450-2	10 3/4" (27.3)	10.0" (25.4)	15 3/16" (38.6)	24 1/2" (11.1)	27 (12.2)

*Height with handle extended is 35 3/4" (90.8).

TYPICAL SPECIFICATIONS

NEMCO's Monster FryKutter shall have an aluminum cast body with a 1/4" or 3/8" square cut, two tier, stainless steel blade assembly. This unit shall be listed with the National Sanitation Foundation.



NEMCO Food Equipment, Ltd.
 Hicksville, OH 43526
 301 Meuse Argonne Ave.
 Phone 419-542-7751
 FAX 419-542-6690
www.nemcofoodequip.com

1/09 Printed in U.S.A.