

# KMD-410M\_H

## MODULAR CRESCENT CUBER

Item # \_\_\_\_\_

Project: \_\_\_\_\_

Qty: \_\_\_\_\_

\*AutoCad available on KCL

KMD-410M\_H

10/10

Item # 13247

### CUBER DIMENSIONS

W x D x H

**KMD-410M\_H**  
22 x 24 x 24





### KMD-410MAH

Air-Cooled  
Shown on an optional  
Lancer 22" Dispenser

### KMD-410MWH

Water-Cooled

- Up to 440 lbs. of ice production per 24 hours
- Ice on beverage design
- Durable stainless steel exterior
- Individual crescent cube
- CycleSaver® Design 
- EverCheck® alert system 
- Stainless steel evaporator
- Removable air filters (Air-cooled model only)
- Complies with California Energy Commission guidelines (CEC)
- R-404A Refrigerant

\* The KMD-410MAH is ENERGY STAR qualified.



### Warranty

Valid in United States, Canada, Puerto Rico, & U.S. Territories. Contact factory for warranty in other countries.

**Three Year** - Parts & Labor on entire machine.

**Five Year** - Parts & Labor on: Evaporator.

**Five Year** - Parts on: Compressor, air-cooled condenser coil.



# Hoshizaki

## KMD-410M\_H MODULAR CRESCENT CUBER

**DIMENSIONS**  
W x D x H  
**KMD-410M\_H**  
22 x 24 x 24

- Air-cooled
- Water-cooled

### AIR-COOLED

Water Temp° F.	50°	70°	90°	
Air Temp° F.	70°	415	388	354
80°	395	353	320	
90°	388	<b>324</b>	289	

### WATER-COOLED

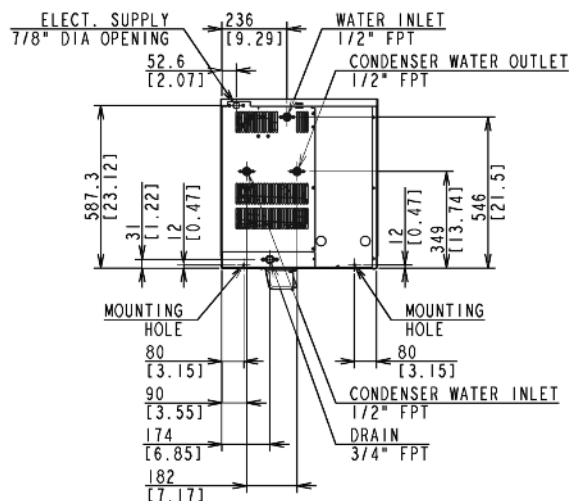
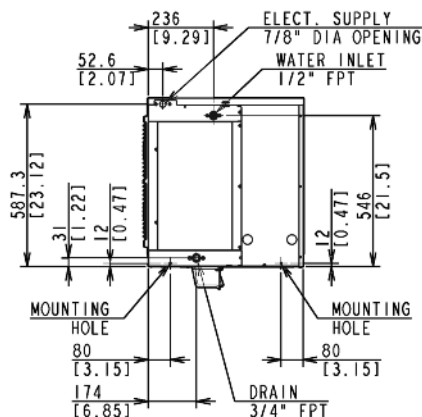
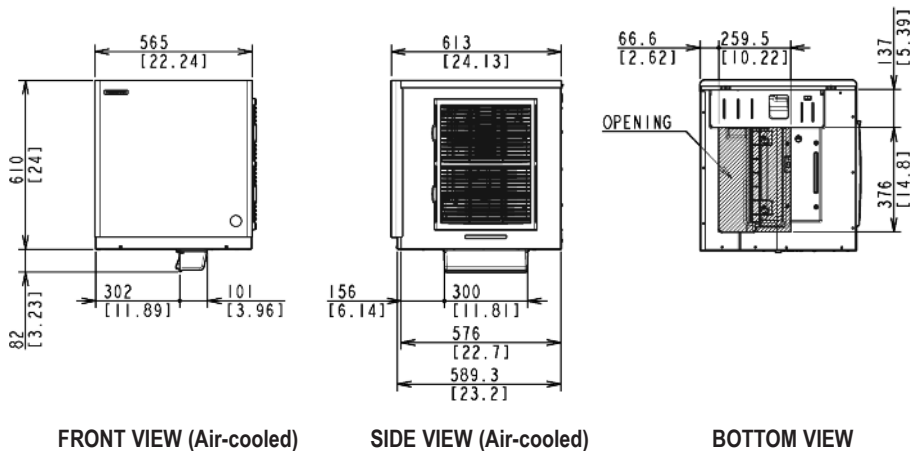
Water Temp° F.	50°	70°	90°	
Air Temp° F.	70°	440	423	392
80°	427	401	364	
90°	423	<b>382</b>	347	

### UTILITY CONSUMPTION

Model Number	Ice Production Per Cycle		KWH per 100 LBS. 90/70	Potable Water Gal. per 100 lbs. 90/70	Condenser Water Gal. per 100 lbs. 90/70
	Lbs.	Cubes			
KMD-410MAH	8.5	416	5.8	22.6	N/A
KMD-410MWH	8.2	416	4.3	23.2	145

### SPECIFICATIONS

Model Number	Condenser	Amperage	Min. Circuit Ampacity	Shipping Weight
KMD-410MAH	Air-Cooled	8.0	15	161 lbs.
KMD-410MWH	Water-Cooled	6.5	15	163 lbs.



### ELECTRICAL & PLUMBING/KMD-410M\_H

- 115/60/1
- 15 amp Max Fuse/HACR Breaker Size
- 3/8" OD copper or equivalent independent potable water supply
- 3/4" FPT independent drain connection

### OPERATING LIMITS

- Ambient Temp Range 45 - 100°F
- Water Temp Range 45 - 90°F
- Water Pressure 10 - 113psig
- Voltage Range 104 - 127V

### SERVICE

- Panels easily removed and all components accessible for service.
- Removable/cleanable air filters. (Air-Cooled model only)

