

DCM-751B_H-OS

OPTI-SERVE SERIES

SANITARY CUBELET ICE MACHINE/DISPENSER

Item # _____

Project: _____

Qty: _____

*AutoCad available on KCL

DCM-751B_H-OS

2/14

Item #13291

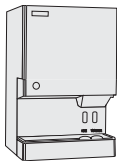
DIMENSIONS

W x D x H

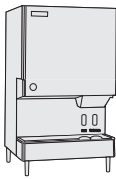
DCM-751B_H-OS
34^{1/16} x 28^{1/2} x 48^{1/16}

SD-700
34^{1/4} x 28^{1/4} x 32^{1/2}

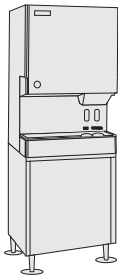
SD-750
34 x 28 x 32^{3/4}



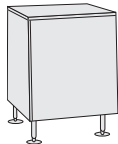
DCM-751
Countertop



DCM-751
Countertop
with optional
6" legs



DCM-751
Floor Model
with optional
stand



SD-700
optional
stand



SD-750
optional
stand

DCM-751BAH-OS

Air-Cooled
Shown on an optional
SD-750 Stand

DCM-751BWH-OS



Water-Cooled



*Transparent drinkware may affect dispensing operations

*Hands-free sensor designed for use with opaque containers. Not intended for outdoor use - avoid placement in direct sunlight.

DCM-751B_H-OS

- CleanCycle12® - Every 12 hours, unit performs 15 minute purge to rid itself of impurities 
- LED Remote sensor for hands-free operation
- Sealed LED housing prevents moisture from entering, eliminating the possibility of an electrical short
- Corrosion resistant stainless steel exterior
- Up to 80l lbs. of ice production per 24 hours, with 95 lbs. built-in storage
- Easy to chew, cubelet ice
- Self contained design reducing opportunities for cross contamination
- Dispenses ice and water
- Removable air filters (Air-cooled model only)
- Protected by H-GUARD Plus Antimicrobial Agent 

SD-700 Stand / SD-750 Stand

- Heavy duty stand for floor model icemaker/dispenser
- Corrosion resistant stainless steel exterior
- Easy cleaning with attractive appearance
- Locking doors standard on SD-750

Warranty

Valid in United States, Canada, Puerto Rico, & U.S. Territories. Contact factory for warranty in other countries.

Three Year - Parts & Labor on entire machine. (Serial numbers Vxxxxxj and after.)

Five Year - Parts on: Compressor, air-cooled condenser.



ISO9001-ISO14001



DCM-75IB_H-OS SANITARY CUBELET ICE MACHINE/DISPENSER - OPTI-SERVE SERIES

DIMENSIONS

W x D x H

DCM-75IB_H-OS	34 ^{1/16} " x 28 ^{1/2} " x 48 ^{1/16} "
SD-700	34 ^{1/4} " x 28 ^{1/4} " x 32 ^{1/2} "
SD-750	34" x 28" x 32 ^{3/4} "

- Hands-free ice machine/dispenser
- Optional stand
- Optional stand with locking doors

AIR-COOLED

Water Temp° F.	50°	70°	90°	
Air Temp° F.	70°	801	757	725
	80°	695	666	639
	90°	612	583	562

WATER-COOLED

Water Temp° F.	50°	70°	90°	
Air Temp° F.	70°	800	779	758
	80°	738	719	700
	90°	681	685	646

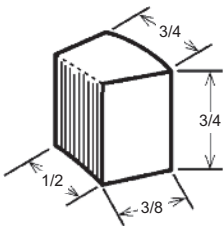
UTILITY CONSUMPTION

Model Number	KWH per 100 LBS. 90/70	Potable Water Gal. per 100 lbs.
DCM-751BAH-OS	5.94	12.0
DCM-751BWH-OS	4.77	12.0

SPECIFICATIONS

Model Number	Condenser	Min. Circuit Ampacity	Shipping Weight
DCM-751BAH-OS	Air-Cooled	20	345 lbs.
DCM-751BWH-OS	Water-Cooled	20	345 lbs.
SD-700	N/A	N/A	165 lbs.
SD-750	N/A	N/A	125 lbs.

*CUBELET DIMENSIONS



*approximate size in inches, image not to scale

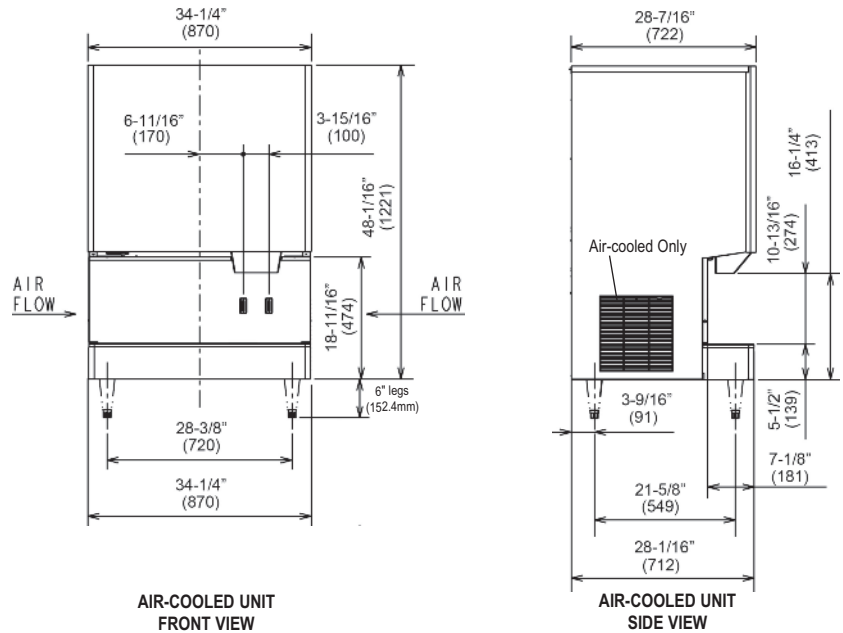
ELECTRICAL & PLUMBING/DCM-75IB_H-OS

- 115V/60/1
- 20 amp Max Fuse Size
- 1/2" OD copper or equivalent independent water supply
- 3/4" independent drain connection

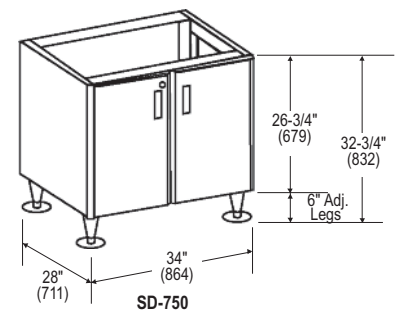
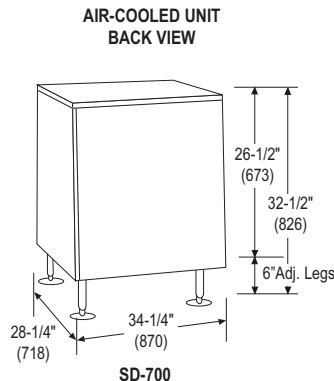
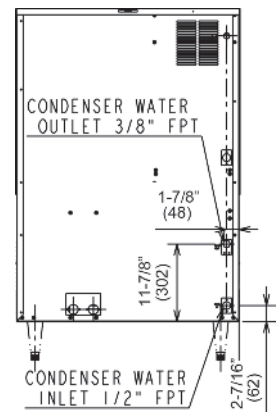
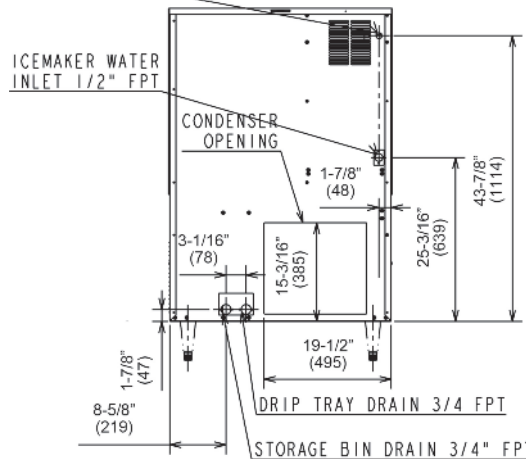


© HOSHIZAKI AMERICA, INC.

618 Hwy. 74 S., Peachtree City, GA 30269



ELECTRICAL SUPPLY
7/8" DIA. OPENING



OPERATING LIMITS

- Ambient Temp Range 45 - 100°F
- Water Temp Range 45 - 90°F
- Water Pressure 10 - 113psig
- Voltage Range 104 - 127V

SERVICE

- Panels easily removed and all components accessible for service.
- Removable/cleanable air filter.

TEL 1-800-438-6087

FAX 1-800-345-1325

www.hoshizaki.com

Printed in U.S.A.

