

# Grosfillex

COMMERCIAL RESIN FURNITURE

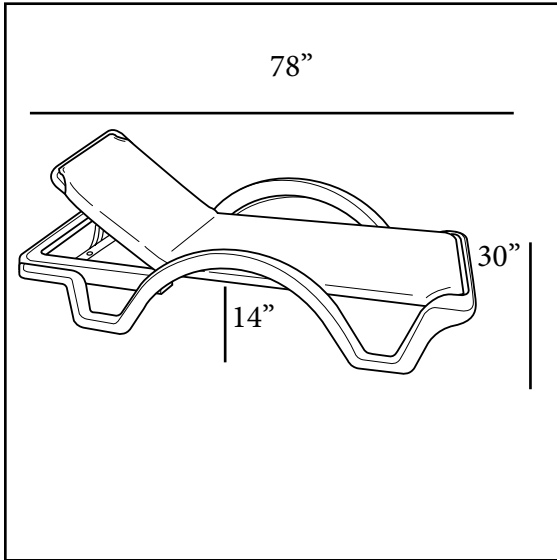
Your best value for Food Service & Hospitality!

E  
X  
T  
E  
R  
I  
O  
R

## CATALINA Adjustable Sling Chaise with Arms

Ask about our custom sling chaise program!

Passes ASTM F1988-99 Class B performance standard for commercial outdoor lounging.



### Features & Benefits

**Warranty: 3 Yrs.**

- Specifically made for commercial use.
- Designed for enduring comfort with a firm breathable and supportive commercial grade sling and 5-position adjustable back.
- Solid one-piece molded frame construction.
- Easy to replace sling fabric for repair or refurbishment
- Recessed wheels for ease of mobility.
- Woven vinyl coated polyester fabric for strength and color-fastness.
- Sanitized® mesh fabric for mildew resistance.
- Cleans easily with a solution of mild detergent (refer to our cleaning instructions).
- “Memory” sling and resin frame assembly by elastic cordage for excellent recovery and shape retention.
- Will stay cool in the hot sun.
- Rated to 300 pounds for safe use in commercial environment.
- Naturally impervious to salt air and most common stains.
- Stackable for easy storage.
- Fabric can be customized with property logo.
- Frame: 3 Year Commercial Warranty on Frame.
- Sling: 3 Years against tearing - 1 Year against discoloration by U.V. light.

### Product Specifications

Product Description	Reference Number	Color	UPC Code 014306	Weight Each (lbs.)	Master Pack	Master Pack Volume (cu. ft.)
White Frame	99202006	Blue	129426	35.00	14	98.36
	US202006	Blue	129426	38.50	2	34.32
Sandstone Frame	99255166	Natural	910079	35.00	14	98.36
	US255166	Natural	910079	38.50	2	34.32
Custom White Frame Custom Frame	99202099	Custom	135366	35.00	14	98.36
	99202099	Custom	135366	35.00	14	98.36