



181GW
High Temperature
Undercounter Glasswasher

NEW!
40" HEIGHT
FOR UNDER BAR
GLASSWASHER
APPLICATION!



MODEL CMA 181GW

FEATURES:

- Energy Star Approved.
- 16 gauge 304 Stainless Steel wash tank.
- 30 racks per hour or 600 glasses per hour (20 per 20X20 rack).
- .86 gallons of water per cycle or rack.
- Safety-T-Temp booster heater capable of a 70°F rise. (3 minute cycle)
- 180°F final rinse
- Detergent and rinse chemical pumps.
- Fresh water rinse through upper and lower rotating arms.
- Rotating upper and lower wash arms for maximum glass surface coverage.
- Removable Stainless Steel pump protection screen for easy cleaning..
- Raised wash chamber reduces "bending over" to remove racks
- Gravity drain system.
- **Great application for WINERY companies.**



Top mounted controls are easy to read and simple to operate.



6" legs for increasing the overall height to 40" is standard.



Large 11-1/4" height clearance accommodates larger glassware.

Options Available: CMA 181GW

- Stainless Steel Pedestal
- 4 Inch legs Part # 1146.50 (4 needed)



CMA Dishmachines 12700 Knott Street, Garden Grove, CA 92841 • 800-854-6417 • 714-898-8781 • Fax: 714-895-2141 • www.cmadishmachines.com

CMA reserves the right to modify specifications or discontinue models without prior notification.

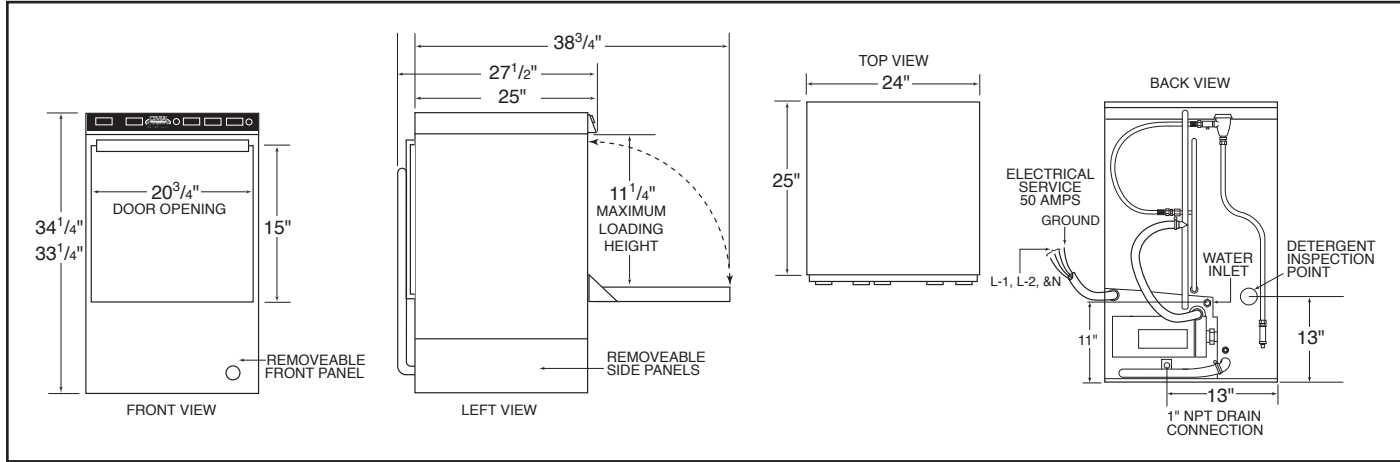
Printed in the U.S.A.

© 2011 CMA, Inc.



181GW
High Temperature
Undercounter Glasswasher

WARNING: Plumbing connections must be made by a qualified service company who will comply with all available Federal, State, and Local Health, Plumbing and Safety codes.



Specifications:

CMA-181GW	USA	(Metric)	CMA-180UC	USA	(Metric)
WATER CONSUMPTION			FRAME DIMENSIONS		
PER RACK	.86 GAL.	(3.25 L)	DEPTH	25"	(63.5 CM)
PER HOUR	20.6 GAL.	(77.8 L)	WIDTH	24"	(60.96 CM)
OPERATING CYCLE			HEIGHT	33-1/4"	(84.45 CM)
WASH TIME-SEC	94	94	MAX CLEARANCE FOR DISHES	11-1/4"	(28.6 CM)
RINSE TIME-SEC	16	16	WASH PUMP MOTOR	1 HP	1 HP
DWELL TIME-SEC	10	10	ELECTRICAL RATING*	208 VOLTS	230 VOLTS
TOTAL CYCLE TIME	2 MIN.	2 MIN.	TOTAL AMPS	33.0 AMPS	35.0 AMPS
OPERATING CAPACITY			BOOSTER HEATER KW	5.3 KW	6.5 KW
RACKS PER HOUR	30	30	WASH PUMP MOTOR	3/4 HP	3/4 HP
WASH TANK CAPACITY	2.5 GAL.	(9.46 L)	*MUST CONNECT TO 50 AMP SUPPLY CIRCUIT.		
PUMP CAPACITY	38 GPM	(144 LPM)	THIS SYSTEM REQUIRES THREE POWER WIRES WHICH INCLUDES A CURRENT CARRYING NEUTRAL. AN ADDITIONAL FOURTH WIRE MUST BE PROVIDED FOR MACHINE GROUND.		
WATER REQUIREMENTS			SHIPPING WEIGHT		
REQUIRED MINIMUM TEMP.*	110°F	(43°C)	APPROXIMATE	234#	(106 KG)
RECOMMENDED TEMP.**	140°F	(60°C)			
WATER INLET	1/2"	(1.27 CM)			
DRAIN CONNECTION	1"	(2.54 CM)			
RINSE PRESSURE SET	20 ± 5PSI	1.41 KG/CM²			
CYCLE TEMPERATURES					
WASH-°F	150° F-160° F	(65.5°C/71°C)			
RINSE-°F	180° F-195° F	(82°C/90°C)			

Summary Specifications: CMA 181GW

The CMA 181GW undercounter dishwasher provides hot water (180°F) sanitizing through the use of a built-in booster heater. 180°F final rinse safety system ensures proper temperatures in the final rinse by holding wash cycle in run mode until 180°F rinse temperature is detected. The unit comes standard with upper and lower stainless steel wash and final rinse arms, digital LED temperature gauges and easy to operate controls. The CMA 181GW is constructed entirely of stainless steel. Uses standard 20"X20" glass-racks with a 12" door clearance.

Options Available: CMA 181GW

- 48" Undercounter Dishtable
- Stainless Steel Pedestal
- 4 Inch legs Part # 1146.50 (4 needed)

