



STAINLESS STEEL
ECONOMY HAND SINKS
7-PS-EC & 7-PS-70-EC



7-PS-EC



7-PS-70-EC

FEATURES:

Deep Drawn sink bowl design.

Sink bowl is 10" x 14" x 5".

Sink bowl has a large liberal radii with a minimum dimension of 2" and are rectangular in design for increased capacity.

Stainless steel 1-1/2" basket drain. 1-1/2" IPS.

7-PS-EC - 4" O.C. economy splash mounted gooseneck faucet, chrome plated & furnished with aerator.

NOTE: This faucet is AB1953 Lead Free Compliant.

7-PS-70-EC - Faucet not included.

Item #: _____ **Qty #:** _____

Model #: _____

Project #: _____

CONSTRUCTION:

All TIG welded.

Welded areas blended to match adjacent surfaces and to a satin finish.

Die formed Countertop Edge with a No-Drip offset.

MATERIAL:

Heavy gauge type 304 series stainless steel.

Wall mounting bracket is Galvanized and of offset design.

All fittings are brass / chrome plated unless otherwise indicated.

MECHANICAL:

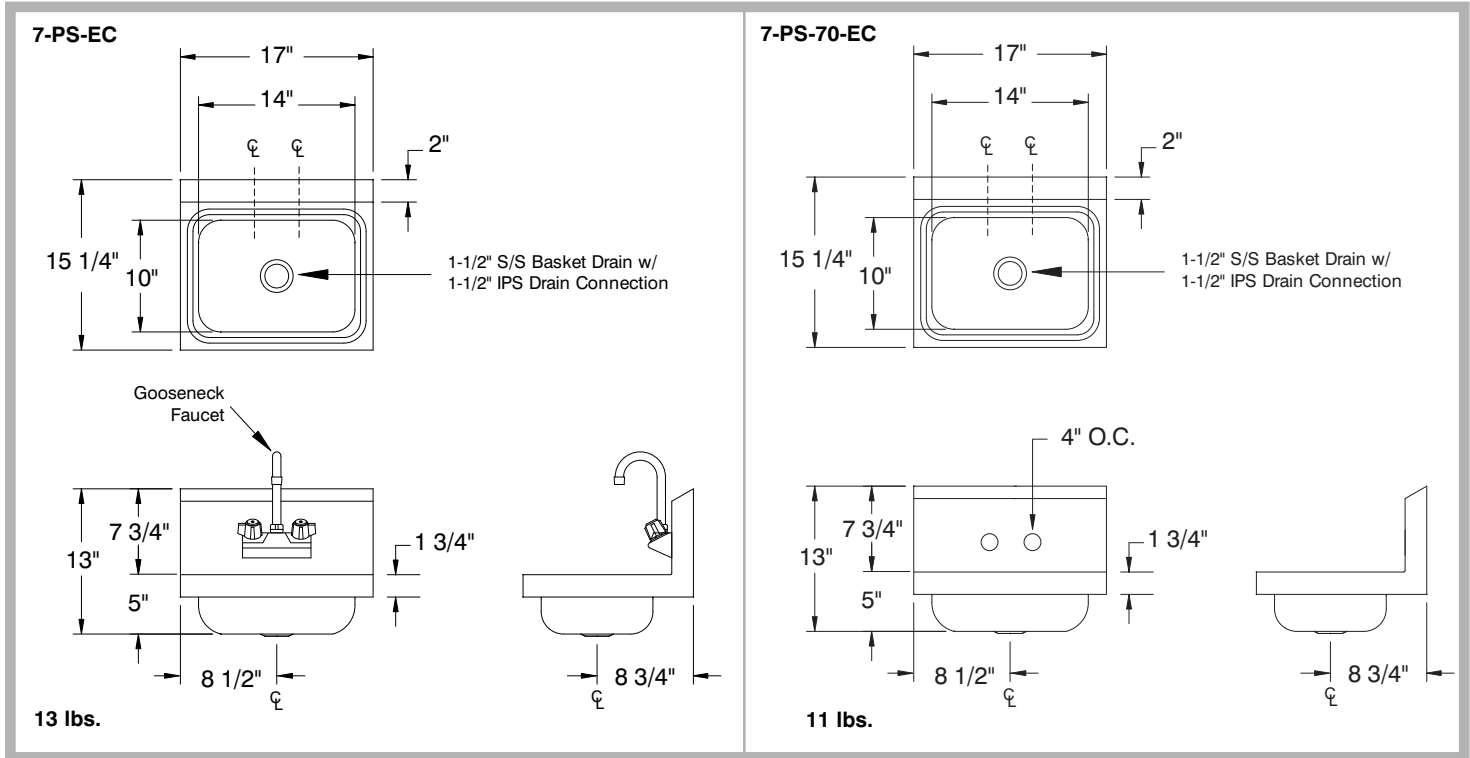
Faucet supply is 1/2" IPS male thread hot and cold.

DETAILS and SPECIFICATIONS

TOL Overall: ± .500" Interior: ± .250"

FITTINGS SUPPLIED AS SHOWN

ALL DIMENSIONS ARE TYPICAL



ADVANCE TABCO SMART FABRICATION
 www.advancetabco.com

Customer Service Available To Assist You 1-800-645-3166 8:30 am - 8:00 pm E.S.T.
 Email Orders To: customer@advancetabco.com. For Smart Fabrication™ Quotes, Email To: smartfab@advancetabco.com or Fax To: 631-586-2933

NEW YORK Fax: (631) 242-6900	GEORGIA Fax: (770) 775-5625	TEXAS Fax: (972) 932-4795	NEVADA Fax: (775) 972-1578
--	---------------------------------------	-------------------------------------	--------------------------------------