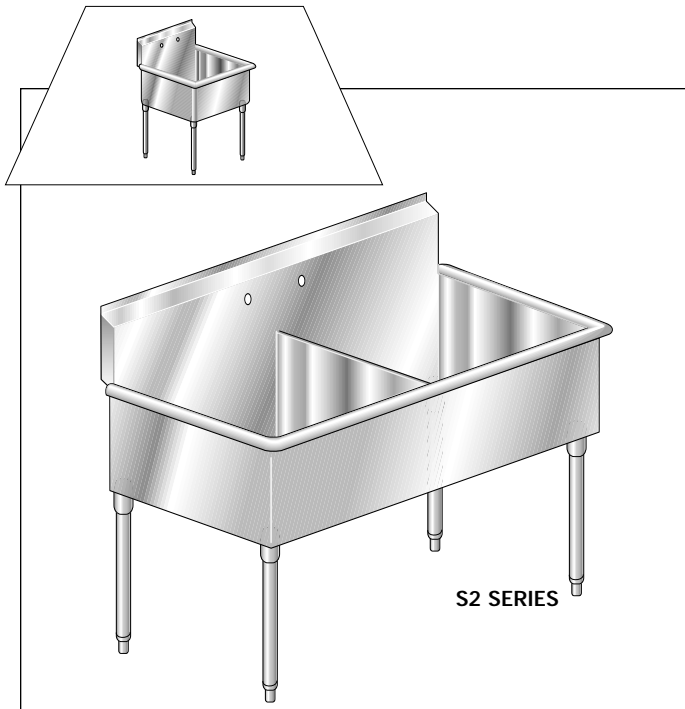




NON-NSF SINKS

S2 SERIES, Two Compartment



Item# _____ Project _____

Quantity	ECONOMY 4S1 Model #	DELUX 3S1 Model #	PREMIUM 2S1 Model #
----------	---------------------------	-------------------------	---------------------------

18" WIDE

_____	4S2-1818	3S2-1818	2S2-1818
_____	4S2-1824	3S2-1824	2S2-1824
_____	4S2-1830	3S2-1830	2S2-1830
_____	4S2-1836	3S2-1836	2S2-1836
_____	4S2-1842	3S2-1842	2S2-1842
_____	4S2-1848	3S2-1848	2S2-1848

21" WIDE

_____	4S2-2118	3S2-2118	2S2-2118
_____	4S2-2124	3S2-2124	2S2-2124
_____	4S2-2130	3S2-2130	2S2-2130
_____	4S2-2136	3S2-2136	2S2-2136
_____	4S2-2142	3S2-2142	2S2-2142
_____	4S2-2148	3S2-2148	2S2-2148

24" WIDE

_____	4S2-2418	3S2-2418	2S2-2418
_____	4S2-2424	3S2-2424	2S2-2424
_____	4S2-2430	3S2-2430	2S2-2430
_____	4S2-2436	3S2-2436	2S2-2436
_____	4S2-2442	3S2-2442	2S2-2442
_____	4S2-2448	3S2-2448	2S2-2448

30" WIDE

_____	4S2-3018	3S2-3018	2S2-3018
_____	4S2-3024	3S2-3024	2S2-3024
_____	4S2-3030	3S2-3030	2S2-3030
_____	4S2-3036	3S2-3036	2S2-3036
_____	4S2-3042	3S2-3042	2S2-3042
_____	4S2-3048	3S2-3048	2S2-3048

MATERIAL

BODY

- 4S-16 gauge 430 stainless steel.
- 3S-16 gauge 304 stainless steel.
- 2S-14 gauge 304 stainless steel.

LEGS

- 1 1/2" O.D. 16 gauge 304 series stainless steel tubing, complete with 1" adjustable impact resistant white metal feet.

DESIGN FEATURES

- All sinks are fully cartoned.
- Easily assembled.

EXCLUSIVE AERO SAFETY EDGE

- Sink hemmed on the roll and backsplash to eliminate cuts from rough edges.

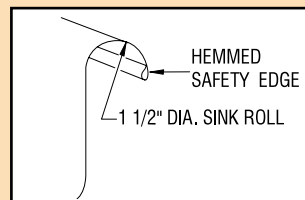
CONSTRUCTION

- Compartments machine welded for superior weld and polish.
- Stainless steel gusset is machine welded 360 deg. to a stainless steel triangular plate.
- Gusset plate is fully welded directly underneath the sink.
- 1/2" roll on the top edge of the divider to create rigidity and eliminate burrs.
- Polished to a #4 blended finish.

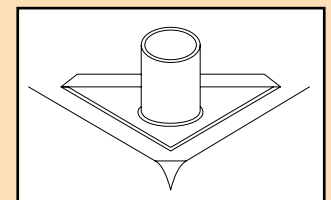
PLUMBING

- Water supply is 1/2" hot and cold.
- Faucet holes are 8" o.c. (Faucets not included. See accessories).

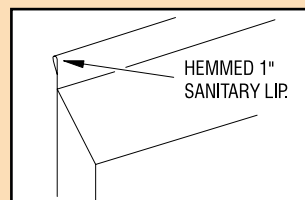
CUSTOM SIZES AVAILABLE



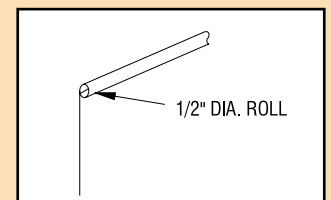
Exclusive Aero Safety Edge



Fully Welded Gusset Assembly



1" Sanitary Lip



1/2" Roll for Extra Rigidity

FABRICATED QUALITY AT AN ECONOMY PRICE

email - sales@aeromfg.com

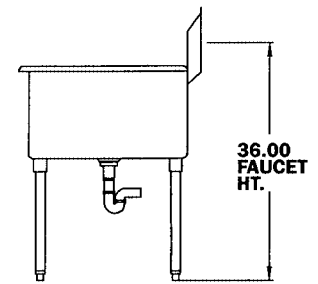
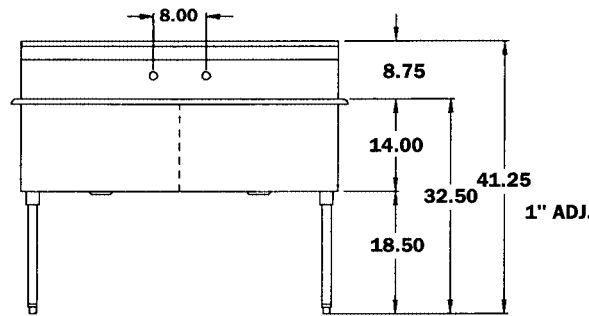
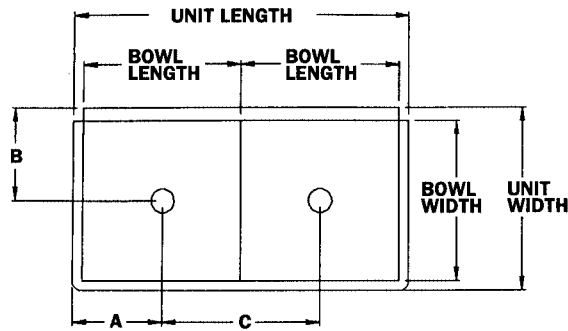
AERO MANUFACTURING COMPANY • 310 ALLWOOD ROAD, CLIFTON, NEW JERSEY 07012 • VOICE 973.473.5300 FAX 973.473.3794



DIMENSIONAL SPECIFICATIONS

S2 SERIES, Two Compartment, NON-NSF Sinks

■ Supplied with stainless steel drain basket and strainer.



BOWL Width	BOWL Length	UNIT Width	UNIT Length	A Drain	B Drain	C Drain	ECONOMY 4S2 Model #	DELUX 3S2 Model #	PREMIUM 2S2 Model #	Ship Weight	Cubic Feet	Sets, Faucet Holes
------------	-------------	------------	-------------	---------	---------	---------	---------------------	-------------------	---------------------	-------------	------------	--------------------

18" WIDE

18	18	21.5	39	10.5	11	18	4S2-1818	3S2-1818	2S2-1818	28	10	ONE
18	24	21.5	51	13.5	11	24	4S2-1824	3S2-1824	2S2-1824	34	13	ONE
18	30	21.5	63	16.5	11	30	4S2-1830	3S2-1830	2S2-1830	40	16	TWO
18	36	21.5	75	19.5	11	36	4S2-1836	3S2-1836	2S2-1836	46	20	TWO
18	42	21.5	87	22.5	11	42	4S2-1842	3S2-1842	2S2-1842	52	23	TWO
18	48	21.5	99	25.5	11	48	4S2-1848	3S2-1848	2S2-1848	58	26	TWO

21" WIDE

21	18	24.5	39	10.5	12.5	18	4S2-2118	3S2-2118	2S2-2118	30	12	ONE
21	24	24.5	51	13.5	12.5	24	4S2-2124	3S2-2124	2S2-2124	36	15	ONE
21	30	24.5	63	16.5	12.5	30	4S2-2130	3S2-2130	2S2-2130	42	19	TWO
21	36	24.5	75	19.5	12.5	36	4S2-2136	3S2-2136	2S2-2136	48	22	TWO
21	42	24.5	87	22.5	12.5	42	4S2-2142	3S2-2142	2S2-2142	55	26	TWO
21	48	24.5	99	25.5	12.5	48	4S2-2148	3S2-2148	2S2-2148	61	29	TWO

24" WIDE

24	18	27.5	39	10.5	14	18	4S2-2418	3S2-2418	2S2-2418	31	13	ONE
24	24	27.5	51	13.5	14	24	4S2-2424	3S2-2424	2S2-2424	37	17	ONE
24	30	27.5	63	16.5	14	30	4S2-2430	3S2-2430	2S2-2430	44	21	TWO
24	36	27.5	75	19.5	14	36	4S2-2436	3S2-2436	2S2-2436	50	25	TWO
24	42	27.5	87	22.5	14	42	4S2-2442	3S2-2442	2S2-2442	57	29	TWO
24	48	27.5	99	25.5	14	48	4S2-2448	3S2-2448	2S2-2448	63	33	TWO

30" WIDE

30	18	33.5	39	10.5	17	18	4S2-3018	3S2-3018	2S2-3018	35	16	ONE
30	24	33.5	51	13.5	17	24	4S2-3024	3S2-3024	2S2-3024	41	21	ONE
30	30	33.5	63	16.5	17	30	4S2-3030	3S2-3030	2S2-3030	48	26	TWO
30	36	33.5	75	19.5	17	36	4S2-3036	3S2-3036	2S2-3036	55	31	TWO
30	42	33.5	87	22.5	17	42	4S2-3042	3S2-3042	2S2-3042	62	35	TWO
30	48	33.5	99	25.5	17	48	4S2-3048	3S2-3048	2S2-3048	67	40	TWO

All dimensions are typical (tol. ±1/8"). • For Accessories and Options see pages FS-7A, FS-7B.

email - sales@aeromfg.com

AERO MANUFACTURING COMPANY • 310 ALLWOOD ROAD, CLIFTON, NEW JERSEY 07012 • VOICE 973.473.5300 FAX 973.473.3794