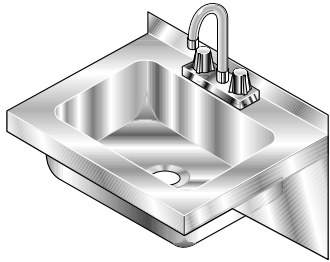
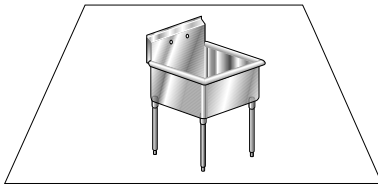




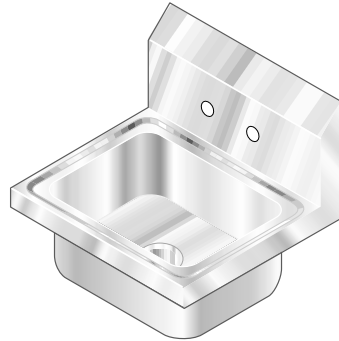
HAND SINKS

HS SERIES

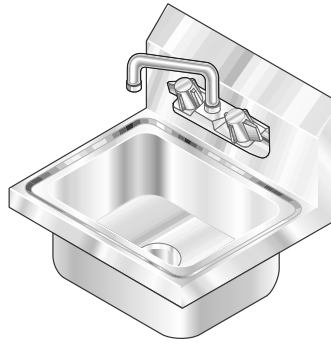
Item# _____ Project _____



Model HSEF
Includes Faucet, Basket



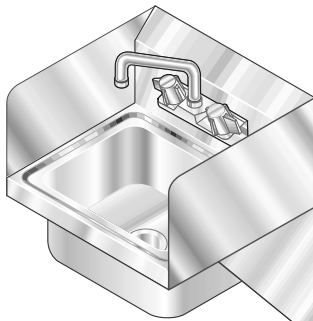
Model HS
No Faucet, No Basket



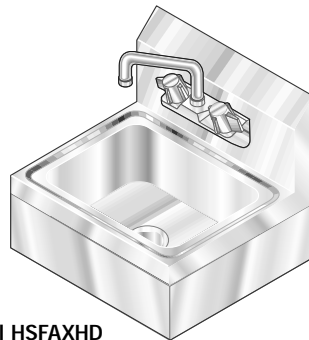
Model HSF
Includes Faucet, Basket



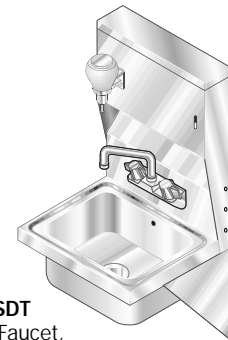
Model HSD
Includes Faucet,
Basket, P-Trap Overflow



Model HSF2S
Includes Faucet, Basket, 2 side splashes



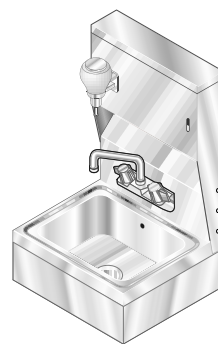
Model HSFXHD
Includes Faucet, Basket, P-Trap Overflow,
S/S Apron, Prison Grade



Model HSDT
Includes Faucet,
Basket, P-Trap,
Overflow, With Towel & Soap Dispenser



Model HSDTA
Includes Faucet, Basket, P-Trap,
Overflow, Soap & Towel Dispenser,
Stainless Steel Apron



Model HSDTAXHD
Includes Faucet, Basket, P-Trap,
Overflow, Soap & Towel Dispenser,
Stainless Steel Apron, Prison Grade

HAND SINK ACCESSORIES

Model #	Description
S-54	Soap Dispenser
S-55	Paper Dispenser
S-56	P-Trap
S-57	Wrist Handle (add on)
S-58	Wrist Handle & FCT (Repl.)
S-59	Metered Faucet
S-60	Knee Valves
S-61	Pedestal Base w/Foot Valve
S-62	Eye Wash Attachment
S-63	Hands-Free Wand
S-64	H.D. FCT Upgrade (T & S)
S-65	Replacement Faucet (CH)
S-66	Replacement Foot Pedals
S-67	Replacement Gooseneck
S-68	Side Splash One Side
S-69	Side Splash Two Sides
S-74	Drink Bubbler

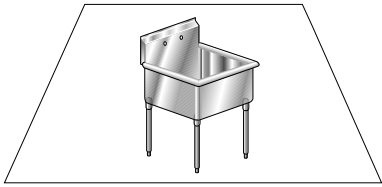
email - sales@aeromfg.com

AERO MANUFACTURING COMPANY • 310 ALLWOOD ROAD, CLIFTON, NEW JERSEY 07012 • VOICE 973.473.5300 FAX 973.473.3794

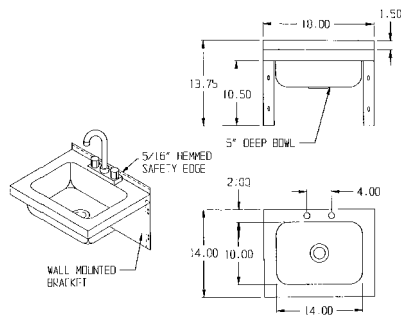
AERO

DIMENSIONAL SPECIFICATIONS

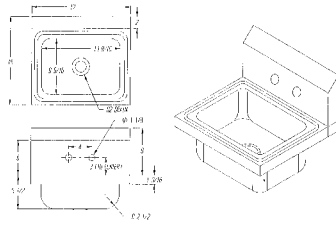
HAND SINKS



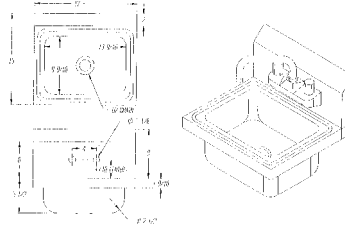
BOWL Width	BOWL Length	UNIT Width	UNIT Length	Model #	Ship Weight	Cubic Feet	BOWL Width	BOWL Length	UNIT Width	UNIT Length	Model #	Ship Weight	Cubic Feet
10	14	14	18	HSEF	9	2	10	14	15	17	HSFAXHD	30	2
10	14	15	17	HS	12	2	10	14	15	17	HSDT	35	2
10	14	15	17	HSF	14	2	10	14	15	17	HSDTA	35	2
10	14	15	17	HSD	15	2	10	14	15	17	HSDTAXHD	35	2
10	14	15	17	HSF2S	15	2							



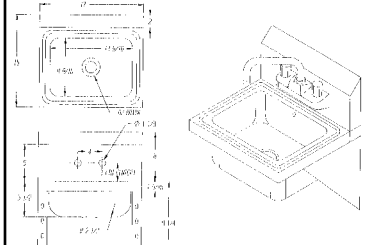
Model HSEF



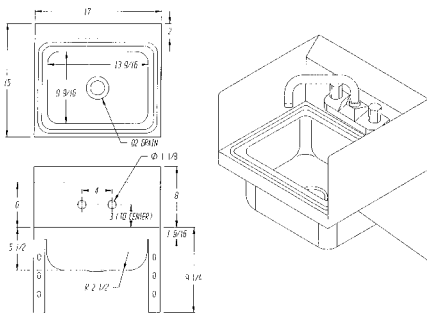
Model HS



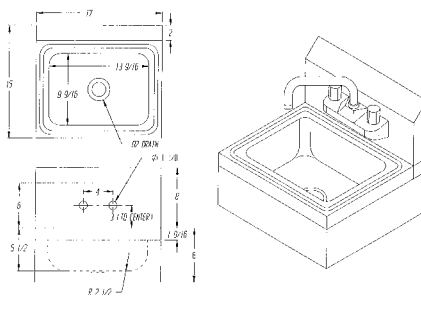
Model HSF



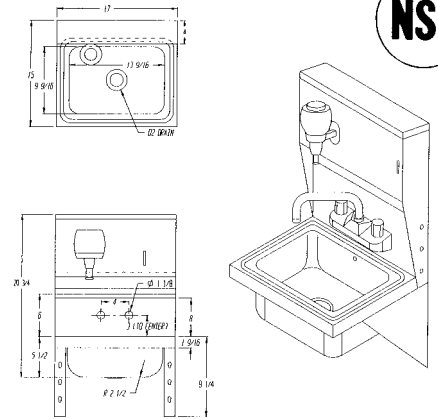
Model HSD



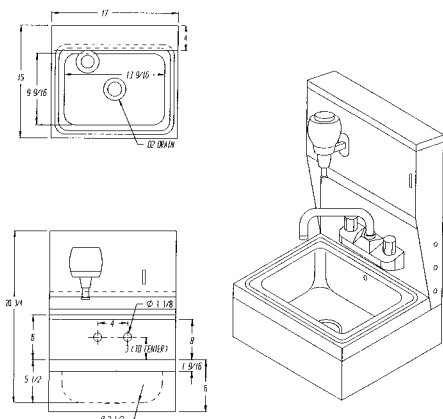
Model HSF2S



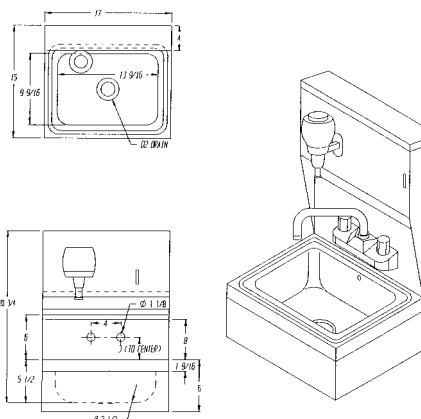
Model HSFAXHD



Model HSDT



Model HSDTA



Model HSDTAXHD

HAND SINK ACCESSORIES

Model #	Description
S-54	Soap Dispenser
S-55	Paper Dispenser
S-56	P-Trap
S-57	Wrist Handle (add on)
S-58	Wrist Handle & FCT (Repl.)
S-59	Metered Faucet
S-60	Knee Valves
S-61	Pedestal Base w/Foot Valve
S-62	Eye Wash Attachment
S-63	Hands-Free Wand
S-64	H.D. FCT Upgrade (T & S)
S-65	Replacement Faucet (CH)
S-66	Replacement Foot Pedals
S-67	Replacement Gooseneck
S-68	Side Splash One Side
S-69	Side Splash Two Sides
S-74	Drink Bubbler

All dimensions are typical (tol. ±1/2"). • For Accessories and Options see pages FS-7A, FS-7B.

email - sales@aeromfg.com

AERO MANUFACTURING COMPANY • 310 ALLWOOD ROAD, CLIFTON, NEW JERSEY 07012 • VOICE 973.473.5300 FAX 973.473.3794