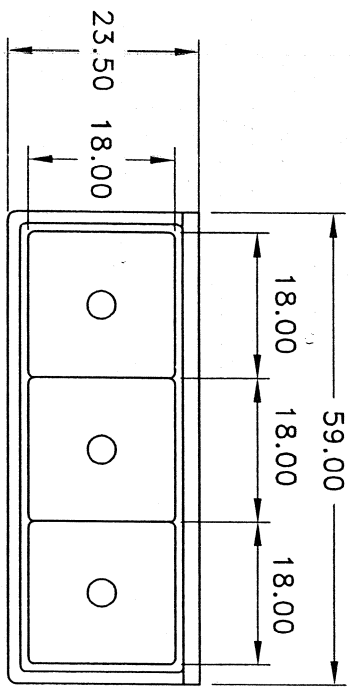
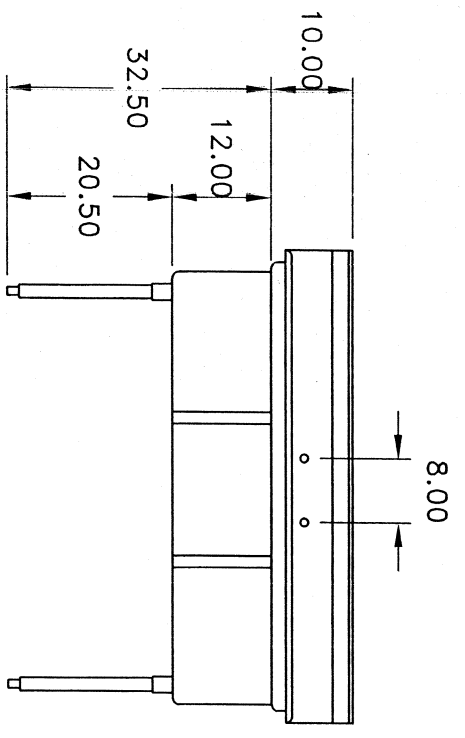


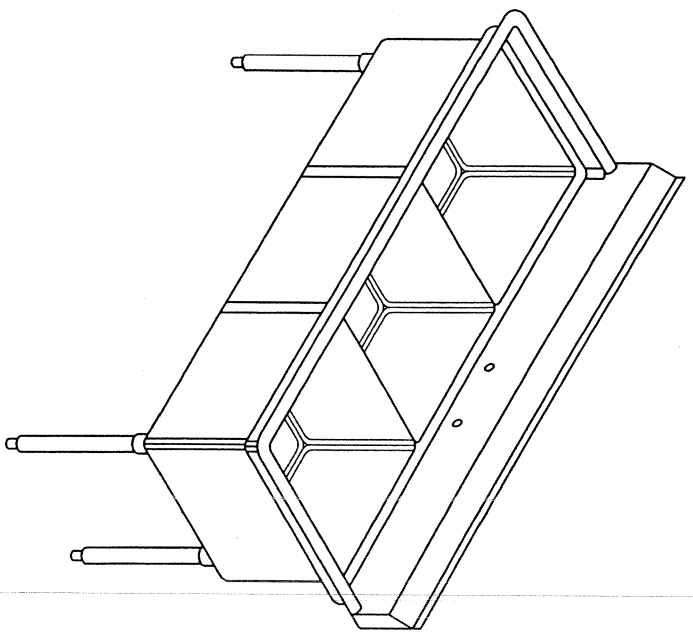
MODEL NO.:  
AF3-1818



**PLAN VIEW**



**ELEVATION**



**ISOMETRIC**

REVISIONS	ADDITIONAL ACCESSORIES	MODEL #	TOLERANCES:
1.	1.		DECIMAL: ±.500
2.	2.		FRACTION: ±1/2"
3.	3.		UNLESS OTHERWISE SPECIFIED
4.	4.		DRAWN BY: D. SURIC
5.	5.		DRAWING NO.:
6.	6.		

**AERO**  
**AERO MANUFACTURING CO., INC.**  
 310 ALLWOOD RD.  
 CLIFTON, NJ 07012  
 TEL: 973-473-5300  
 FAX: 973-473-3794