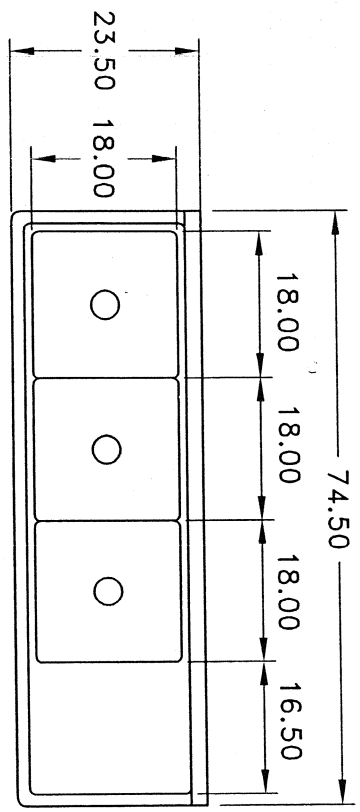
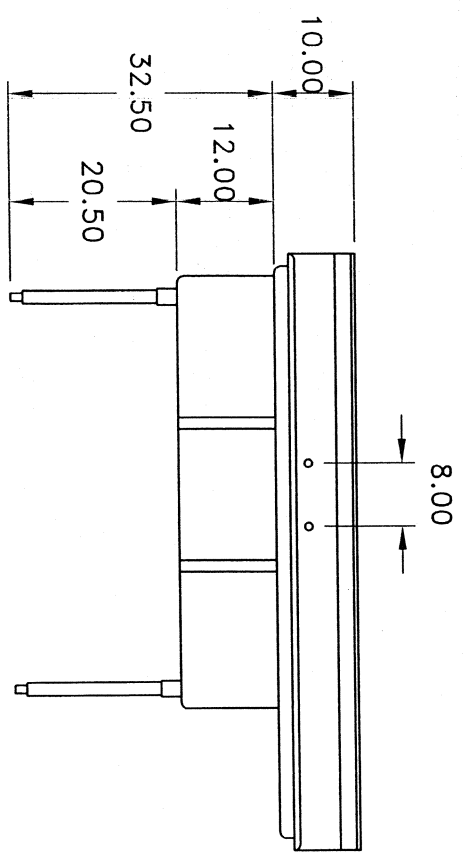


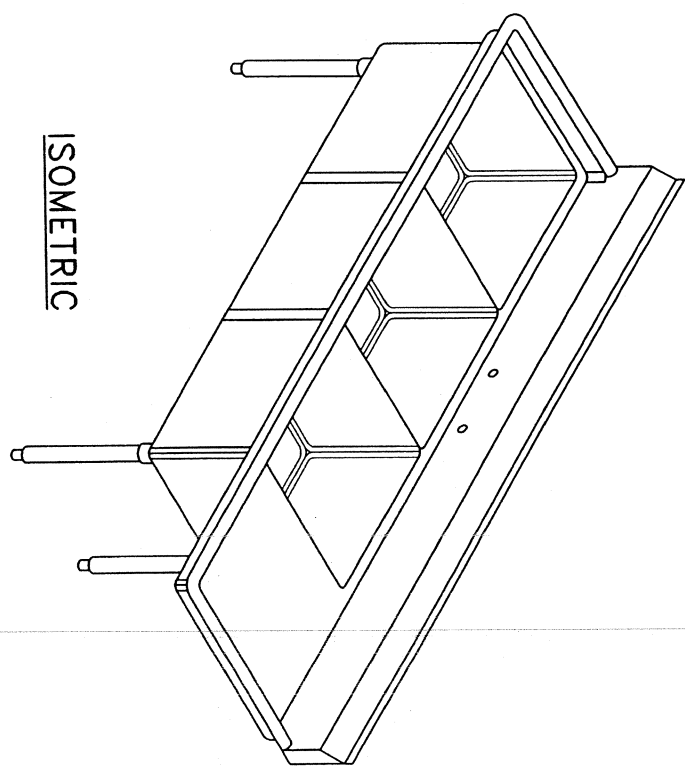
MODEL NO.:
AF3-1818-18R



PLAN VIEW



ELEVATION



ISOMETRIC

| REVISIONS | ADDITIONAL ACCESSORIES | MODEL # | TOLERANCES: |
|-----------|------------------------|---------|----------------------------|
| 1. | 1. | | DECIMAL: ±.500 |
| 2. | 2. | | FRACTION: ±1/2" |
| 3. | 3. | | UNLESS OTHERWISE SPECIFIED |
| 4. | 4. | | DRAWN BY: D. SURIC |
| 5. | 5. | | DRAWING NO.: |
| 6. | 6. | | |

AERO
 AERO MANUFACTURING CO., INC.
 310 ALLWOOD RD.
 CLIFTON, NJ 07012
 TEL: 973-473-5300
 FAX: 973-473-3794