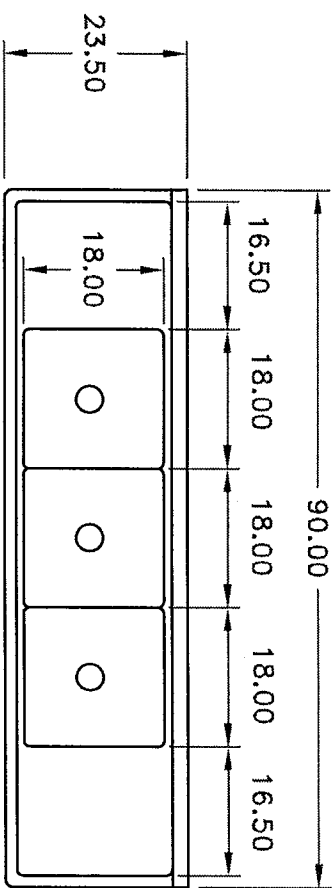
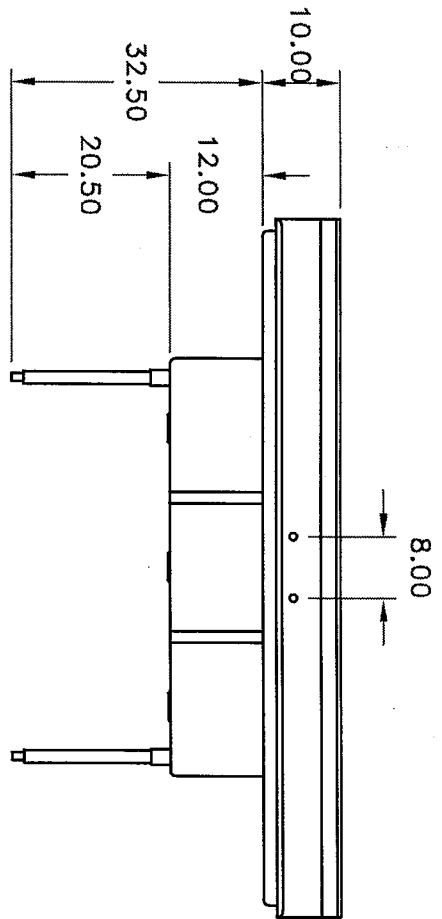


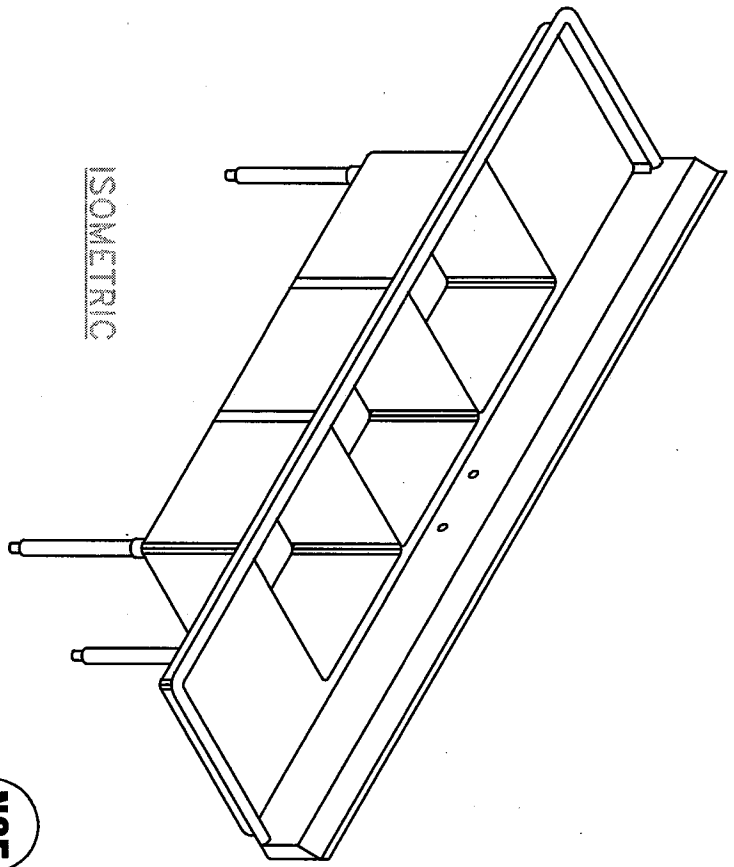
MODEL NO.:
AF3-181812-18LR



PLAN VIEW



ELEVATION



REVISIONS	ADDITIONAL ACCESSORIES	MODEL #	TOLERANCES:
1.	1.		DECIMAL: ±.500
2.	2.		FRACTION: ±1/2"
3.	3.	MAT'L:	UNLESS OTHERWISE SPECIFIED
4.	4.	SCALE: 1/2" = 1'-0"	DRAWN BY: D. SURIC
5.	5.	DATE:	DRAWING NO.:
6.	6.		

AERO
AERO MANUFACTURING CO., INC.
310 ALLWOOD RD.
CLIFTON, NJ 07012
TEL: 973-473-5300
FAX: 973-473-3794