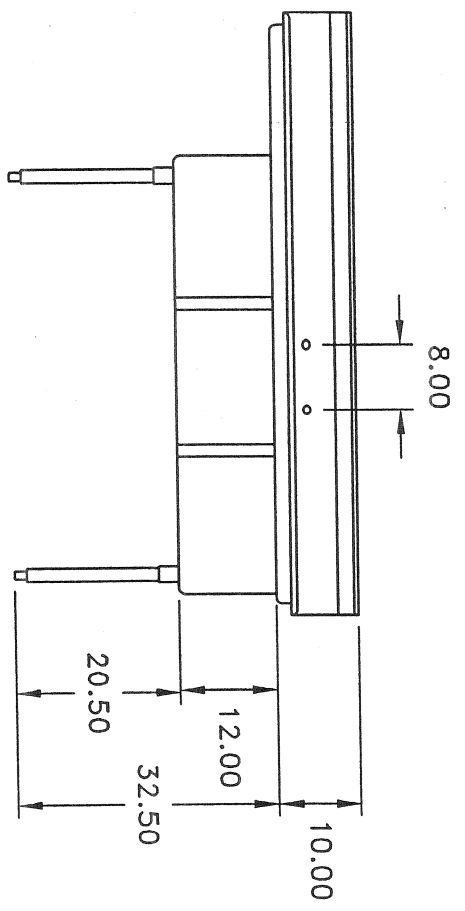
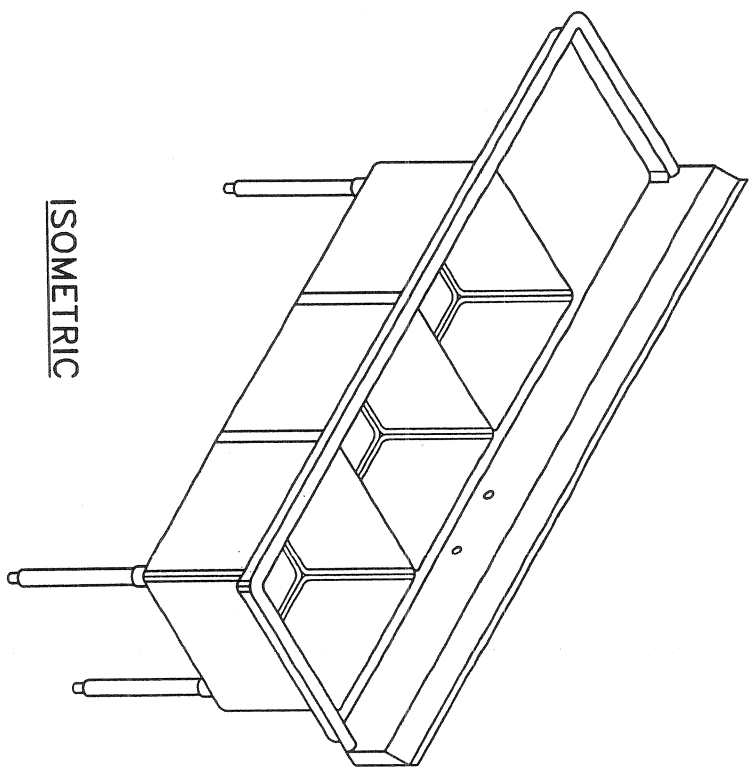


PLAN VIEW



ELEVATION



ISOMETRIC

REVISIONS	ADDITIONAL ACCESSORIES	MODEL #	TOLERANCES:
1.	1.		DECIMAL: ±.500
2.	2.		FRACTION: ±1/2"
3.	3.		UNLESS OTHERWISE SPECIFIED
4.	4.		DRAWN BY: D. SURIC
5.	5.		SCALE: 1/2" = 1'-0"
6.	6.		DATE: DRAWING NO.:

AERO MANUFACTURING CO., INC.
 310 ALLWOOD RD.
 CLIFTON, NJ 07012
 TEL: 973-473-5300
 FAX: 973-473-3794