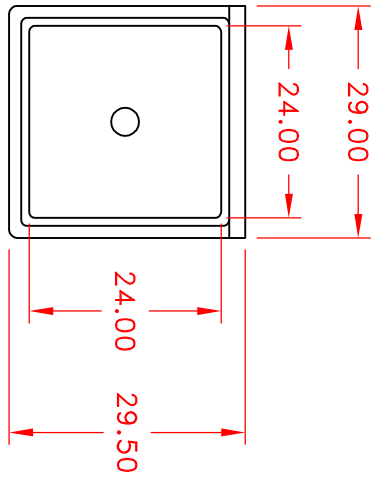
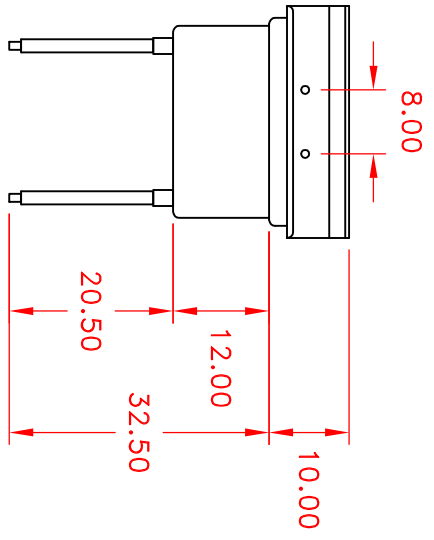


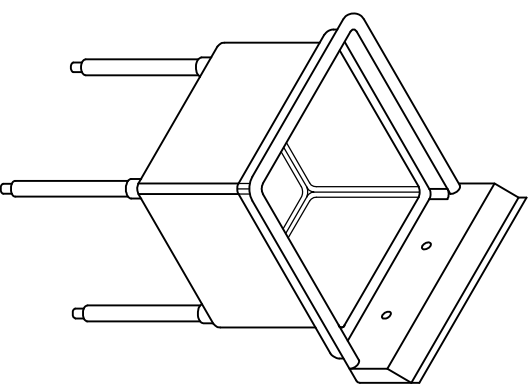
MODEL NO.:
AF1-242412



PLAN VIEW



ELEVATION



ISOMETRIC



REVISIONS	ADDITIONAL ACCESSORIES	MODEL #	TOLERANCES:
1.			DECIMAL: ±.500
2.			FRACTION: ±1/2"
3.			UNLESS OTHERWISE SPECIFIED
4.			DRAWN BY: D. SURIC
5.			DRAWING NO.:
6.			

MAT'L: _____
SCALE: 1/2" = 1'-0"
DATE: _____

AERO MANUFACTURING CO., INC.
310 ALLWOOD RD.
CLIFTON, NJ 07012
TEL: 973-473-5300
FAX: 973-473-3794