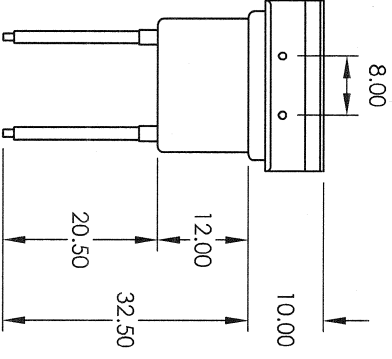
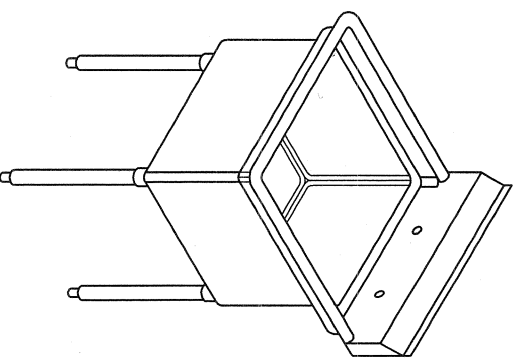


PLAN VIEW



ELEVATION



ISOMETRIC



By signing this document an agreement has been made to begin fabrication of above shown equipment that cannot be reversed. A contract with Aero Mfg. Co. is agreed and equipment is non-cancellable nor returnable.

APPROVED
APPROVED AS NOTED
RESUBMIT AS NOTED

SIGNATURE: _____ DATE: _____

PROPRIETARY AND CONFIDENTIAL

The information contained in this drawing is the sole property of Aero Mfg. Co. Any reproduction in part or as a whole is prohibited.

UNLESS OTHERWISE SPECIFIED:

Tolerances
 Fractional: ±1/4
 Decimal: ±0.25
 Angular: ±1°

ITEM NO.:	NAME	DATE
AF1-181812	DS	4-17-08
DRAWN: DS		
CHECKED:		
MODEL NO.:		
SHEET SIZE: A		
SCALE: 1/2" = 1'-0"		
SHEET: 1 OF 1		
DWG. NO.		
CUSTOMER:		



AERO MANUFACTURING CO.
CLIFTON, NJ 07012
 PHONE: 800.237.6634 FAX: 973.473.3794
 WEBSITE: AEROMFG.COM