

Specifications

Description

Adcraft's hot dog steamer will steam your hot dogs and buns to perfection every time! The body and lids are constructed of stainless steel and comes with tempered front and rear glass for showcasing. This unit fits 100 standard size hot dogs and 36-48 buns. Steam all day with a 8 quart capacity water pan and adjustable thermostat. The top loading design allows for quick and easy access to the contents. Comes equipped with a front valve drain for easy refilling and disposing of water. 120V, 1300W, 10.8 amps and a NEMA 5-15 plug. This item is backed by Adcraft's 1 year replace or repair warranty.

Construction

- Body and lids are constructed of heavy duty stainless steel
- Full view tempered glass on both the operator's and customer's side for merchandising
- Separate hot dog and bun compartment allows the user to control the level of steaming on each side
- Top loading design allows for easy and safe access to your hot dogs and buns

Capacity

- Steams and cooks up to 100 standard sized hot dogs at one time
- The bun compartment can hold 36-48 standard sized buns
- Water pan holds up to 8 quarts of water for all day steaming

Operation

- Heating system can cook the hot dogs in 20 minutes
- Temperature range of 85°F-175°F
- Humidity control system in bun compartment keeps buns fresh while your hot dogs steam

Electrical

- 120V, 1300W, 10.8 Amps
- 6' power cord with NEMA 5-15 plug

Features

- Bright and attractive graphics on both sides help get impulse buys
- Front drain and plug for easy disposal of water
- Bakelite knobs on top of the lids for safe opening
- Lighted power switch
- Non-skid feet for stability

Hot Dog Steamer - Top Loading w/Bun Compartment

Models:

- HDS-1300W/100



Certifications/Approvals



Intertek

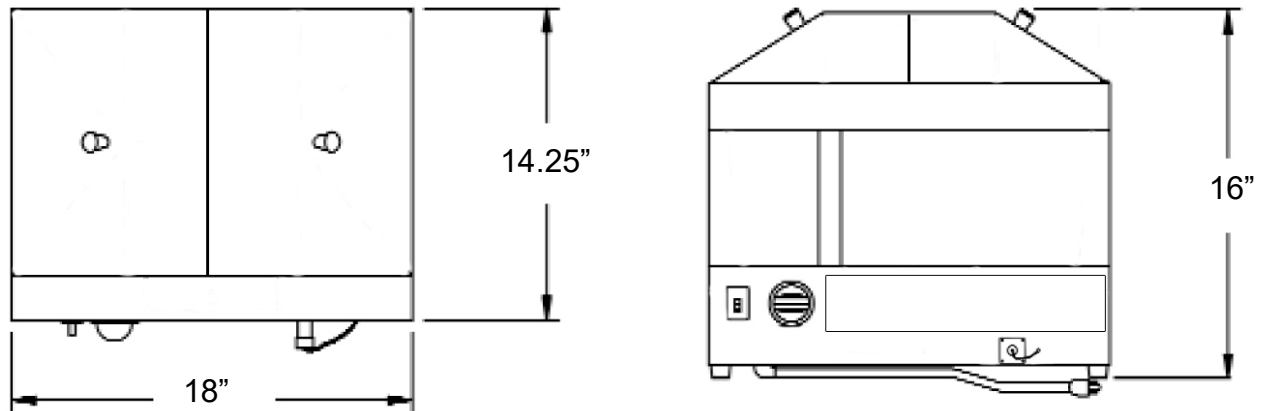
Warranty: This product is protected by Admiral Craft Equipment Corporation's one year limited warranty. Should your product fail under normal use it will be repaired or replaced up to one year from date of purchase.



Date: _____
 Item No.: _____
 Project No.: _____

Hot Dog Steamer - Top Loading w/Bun Compartment - HDS-1300W/100


Plan View



Hot dog compartment dimensions are 6"W x 11"D x 8"H

Bun compartment dimensions are 11"W x 11"D x 8"H

Specifications

Item Number	Description	Volts	Watts	Amps	NEMA Plug
HDS-1300W/100	Hot Dog Steamer	120V	1300W	10.8	5-15P 

Shipping Info

Item Number	Box Dimensions	Item Dimensions	Gross Weight	Net Weight
HDS-1300W/100	21"W x 18"D x 18"H	18"W x 14.25"D x 16"H	27 lbs	25 lbs

For more information about this or any of our other products go to www.admiralcraft.com. This item is listed on AutoQuotes. For full explanation of warranty coverage on this product please refer to warranty page located in the owner's manual and warranty section at www.admiralcraft.com. Specifications subject to change without notice. Please confirm at time of order.